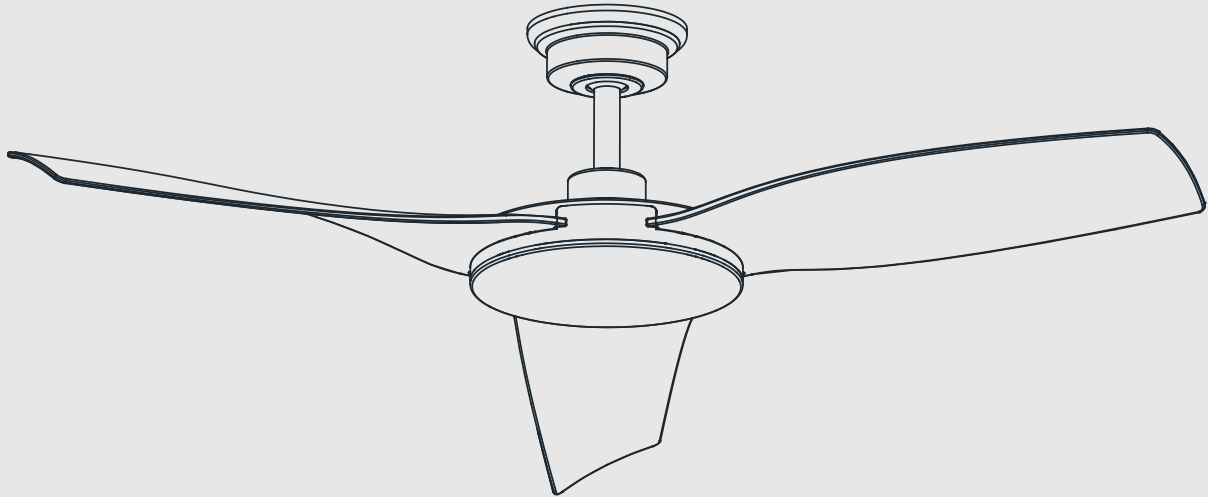




Ceiling Fan Installation Manual



Limited Lifetime Warranty

Progress Lighting fan motors are warranted to the original purchaser to be free of electrical and/or mechanical defects for so long as the original purchaser owns the fan. Pull chain switches, reverse switches, capacitors and metal finishes are warranted to be free from defects in materials or workmanship for a period of 1 year from the date of purchase. Warping of wooden or plastic blades is not covered by this warranty nor is corrosion and/or deterioration of any finishes for fans installed within ten miles of any sea coast. Extended warranties for ENERGY STAR® qualified products may apply.

Progress Lighting ceiling fans with built-in LED light sources, when properly installed and under normal conditions of use, are warranted to be free from defects in material and workmanship which cause the light sources to fail to operate in accordance with the specifications for (i) five (5) years from the date of purchase on the LED Light modules and electrical components for fans used in single family residences, and (ii) three (3) years from the date of purchase on the LED Light modules and electrical components for fans used in multi-family or commercial applications. LED bulbs supplied by Progress Lighting carry no warranty other than manufacturer's warranty. Non-LED bulbs carry no warranty.

With proof of purchase, the original purchaser may return the defective fan to the place of purchase during the first 30 days for replacement. After 30 days, the original purchaser MUST contact Progress Lighting at (864) 678-1000 for repair or replacement which shall be determined in Progress Lighting's sole discretion and shall be purchaser's sole and exclusive remedy.

Labor and Shipping Excluded. This warranty does not cover any costs or fees associated with the labor (including, but not limited to, electrician's fees) required to install, remove, or replace a fan or any fan parts.

This warranty shall not apply to any loss or damage resulting from (i) normal wear and tear or alteration, misuse, abuse or neglect, or (ii) improper installation, operation, repair or maintenance by original purchaser or a third party, including without limitation improper voltage supply or power surge, use of improper parts or accessories, unauthorized repair (made or attempted) or failure to provide maintenance to the fan.

THE FOREGOING WARRANTIES STATE PROGRESS LIGHTING'S ENTIRE WARRANTY OBLIGATION AND ORIGINAL PURCHASER'S SOLE AND EXCLUSIVE REMEDY RELATED TO SUCH PRODUCTS. PROGRESS LIGHTING IS NOT RESPONSIBLE FOR DAMAGES (INCLUDING INDIRECT, SPECIAL, INCIDENTAL OR CONSEQUENTIAL), DUE TO PRODUCT FAILURE, WHETHER ARISING OUT OF BREACH OF WARRANTY, BREACH OF CONTRACT, OR OTHERWISE. THIS WARRANTY IS GIVEN IN LIEU OF ALL OTHER WARRANTIES, WHETHER EXPRESSED OR IMPLIED, INCLUDING THOSE OF MERCHANTABILITY, FITNESS FOR A PARTICULAR PURPOSE OR NON-INFRINGEMENT.

Some states do not allow limitations on how long an implied warranty lasts or the exclusion or limitations of incidental or consequential damages, so the above limitations and exclusions may not apply to you. This warranty gives you specific rights and you may have other rights which vary from state to state.

Date Purchased _____

Store Purchased _____

UL Model No. P250071

Serial No. _____

Vendor No. 111017

UPC 785247261048,

785247261031,

785247261055



Safety Rules	1
Unpacking Your Fan	2
Installing Your Fan	3
Making the Electrical Connections	6
Operating Your Fan	10
Care of Your Fan	11
Troubleshooting	11
Specifications	12

Table of Contents

READ AND SAVE THESE INSTRUCTIONS

1. To reduce the risk of electric shock, insure electricity has been turned off at the circuit breaker or fuse box before beginning.
2. All wiring must be in accordance with the National Electrical Code ANSI/NFPA 70-1999 and local electrical codes. Electrical installation should be performed by a qualified licensed electrician.
3. **CAUTION:** To reduce the risk of personal injury, use only the screws provided with the electrical box.
4. The outlet box and support structure must be securely mounted and capable of reliably supporting 35 lbs. (15.9 kg). Use only cUL Listed outlet boxes marked “Acceptable for Fan Support of 35 lbs. (15.9 kg) or less.”
5. **CAUTION:** The fan must be mounted with a minimum of 7 feet clearance from the trailing edge of the blades to the floor.
6. Do not wait for the fan to stop before pressing the reverse button. The fan will not reverse direction if the fan is not moving.
7. Avoid placing objects in path of the blades.
8. To avoid personal injury or damage to the fan and other items, be cautious when working around or cleaning the fan.
9. Do not use water or detergents when cleaning the fan or fan blades. A dry dust cloth or lightly dampened cloth will be suitable for most cleaning.
10. After making electrical connections, spliced conductors should be turned upward and pushed carefully up into electrical box. The wires should be spread apart with the grounded conductor and the equipment-grounding conductor on one side of the electrical box and ungrounded conductor on the other side of the electrical box.
11. Electrical diagrams are for reference only. Light kits that are not packed with the fan must be UL Listed and marked suitable for use with the model fan you are installing. Switches must be UL General Use Switches. Refer to the instructions packaged with the light kits and switches for proper assembly.
12. All set screws must be checked and retightened where necessary before installation.
13. **WARNING:** To reduce the risk of fire or electric shock, this fan should only be used with fan speed control part no. DP-5R, manufactured by DAWNSUN ELECTRONIC TECHNOLOGY CO LTD ZHONGSHAN.
14. Suitable for use in damp locations.

WARNING

TO REDUCE THE RISK OF FIRE, ELECTRIC SHOCK OR PERSONAL INJURY, MOUNT TO OUTLET BOX MARKED “ACCEPTABLE FOR FAN SUPPORT OF 35LBS. (15.9 KG) OR LESS”, AND USE SCREWS PROVIDED WITH THE OUTLET BOX.

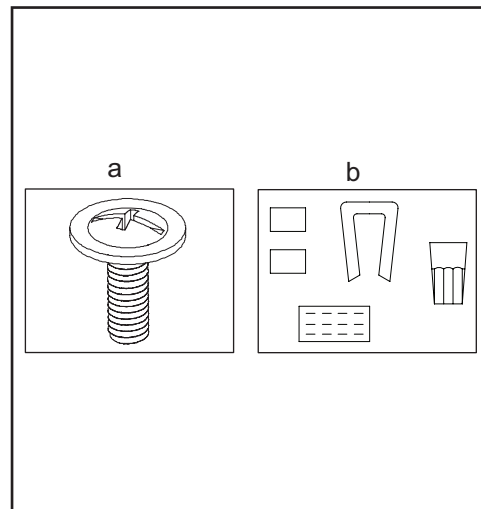
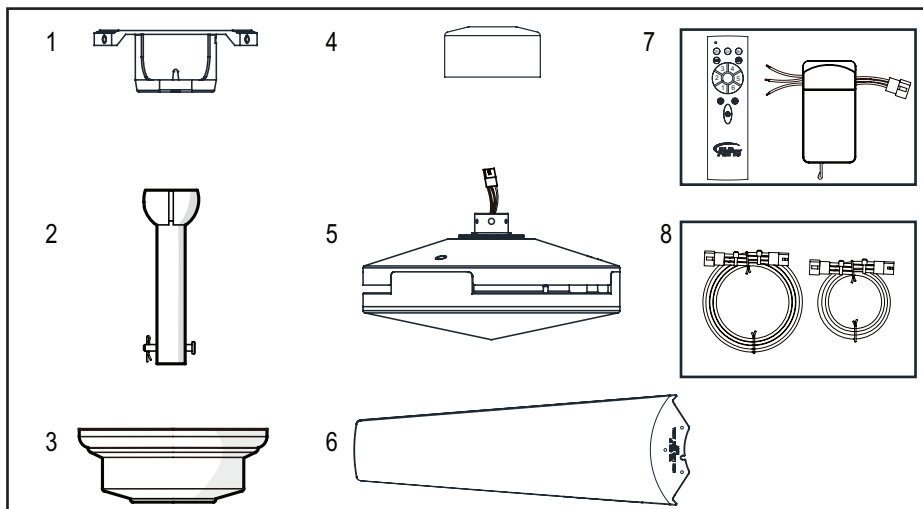
WARNING

TO REDUCE THE RISK OF PERSONAL INJURY, DO NOT BEND THE BLADE BRACKETS (ALSO REFERRED TO AS (“FLANGES”)) DURING ASSEMBLY OR AFTER INSTALLATION. DO NOT INSERT OBJECTS IN THE PATH OF THE BLADES.

WARNING

TO REDUCE THE RISK OF SHOCK, THIS FAN MUST BE INSTALLED WITH AN ISOLATION WALL CONTROL/SWITCH.

1. Safety Rules



Unpack your fan and check the contents. You should have the following items:

1. Mounting Bracket (inside canopy)
2. 6" Ball/Downrod Assembly (hanger pin and locking pin pre-attached)
3. Canopy with Canopy Ring (attached)
4. Decorative Motor Collar Cover
5. Fan Motor Assembly
6. Blades (3)
7. Transmitter and Receiver
8. Extension Lead Wire

- a. **Blade attachment hardware**
(10 screws)
- b. **Electrical hardware and balancing kit**
(1 plastic wire connector, blade balancing kit)

2. Unpacking Your Fan

Tools Required

Phillips screw driver or straight slotted screw driver, adjustable wrench, step ladder, and wire cutters.



Mounting Options

If there isn't an existing electrical box, then read the following instructions. **Disconnect the power by removing fuses or turning off circuit breakers.**

Secure the electrical box directly to the building structure. Use appropriate fasteners and building materials. The electrical box and its support must be able to fully support the moving weight of the fan (at least 35 lbs.). **Do not use plastic electrical boxes.**

WARNING

TO REDUCE THE RISK OF FIRE, ELECTRIC SHOCK OR PERSONAL INJURY, MOUNT TO OUTLET BOX MARKED "ACCEPTABLE FOR FAN SUPPORT OF 35LBS. (15.9 KG) OR LESS", AND USE SCREWS PROVIDED WITH THE OUTLET BOX. ELECTRICAL BOXES COMMONLY USED FOR THE SUPPORT OF LIGHTING FIXTURES MAY NOT BE ACCEPTABLE FOR FAN SUPPORT AND MAY NEED TO BE REPLACED. CONSULT A QUALIFIED ELECTRICIAN IF IN DOUBT.

Figures 1, 2, and 3 are examples of different ways to mount the electrical box.

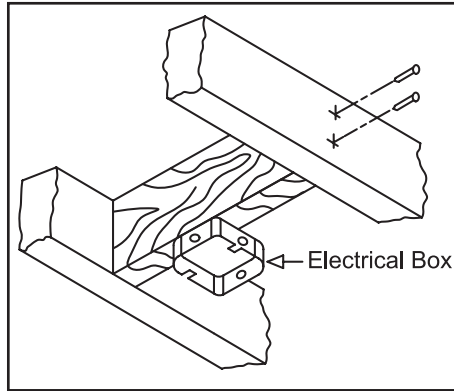


Figure 1

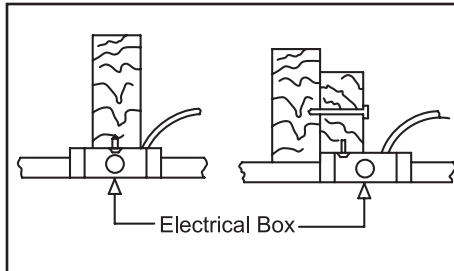


Figure 2

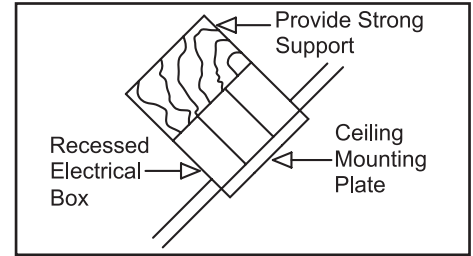


Figure 3

Note: You may need a longer downrod to maintain proper blade clearance when installing on a steep, sloped ceiling. **The maximum angle allowable is 20°.** If the canopy touches the downrod, turn the canopy 180° before attaching the canopy to the mounting plate.

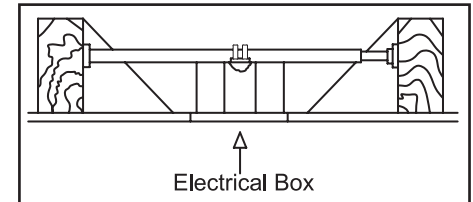


Figure 4

To hang your fan where there is an existing fixture but no ceiling joist, you may need an installation hanger bar as shown in Figure 4.

3. Installing Your Fan

Attaching the Fan Blades

1. Remove the three screws from the top of fan motor assembly , then take off the top housing (Figure 5)
2. Attach the blades to the fan motor assembly by aligning the notches on the blades with alignment post on the flywheel and put the blade on to the flywheel, secure with screws and tighten it. Repeat these steps for remaining blades. (Figure 6)
3. Put the top housing onto the fan motor assembly secure with the screws and tighten it .(Figure 7)
4. Make sure all the screws are firmly tightened.

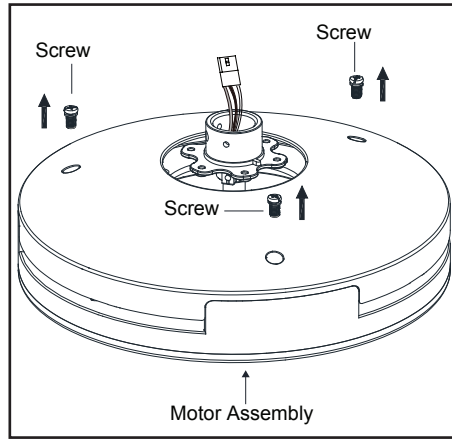


Figure 5

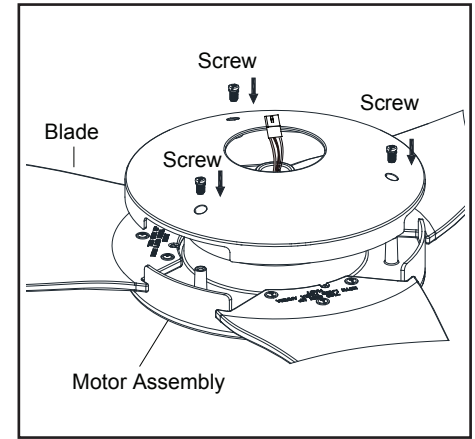


Figure 7

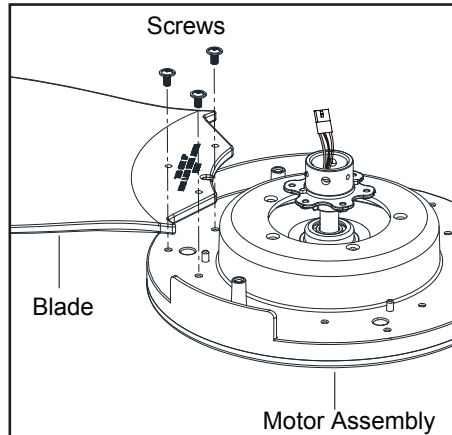


Figure 6

Hanging the Fan

REMEMBER to turn off the power. Follow the steps below to hang your fan properly.

NOTE: This fan is recommended for standard ceiling mount using the downrod provided with this fan. When using standard ceiling installation with the 6 inch downrod provided, the distance from the ceiling to the bottom of the fan blades will be approximately 11 inches.

Standard Ceiling Mounting

1. Remove the canopy from the canopy by turning the ring counter-clockwise until it unlocks. (Figure 8)
2. Remove the mounting bracket from the canopy by loosening the four screws on the top of the canopy. Remove the two non-slotted screws and loosen the slotted screws. This will enable you to remove the mounting bracket. (Figure 9)
3. Remove the hanger pin and locking pin from downrod assembly.
4. Place downrod over canopy and canopy ring, slide the motor collar cover onto the downrod. Connect the extension lead wires to the lead wires from motor. Make sure the quick connectors are clasped firmly. Route the wires through the ball/down rod assembly. (Figure 10)

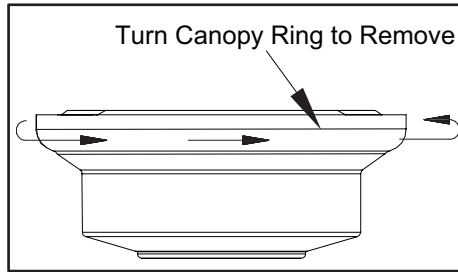


Figure 8

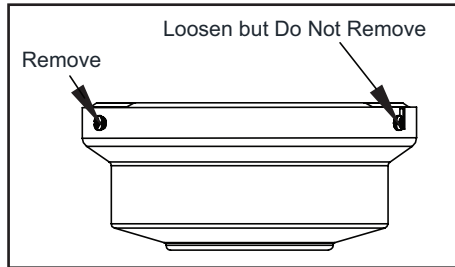


Figure 9

5. Loosen, but do not remove, the set screws on the collar on the top of the motor housing.
6. Align the holes at the bottom of the downrod with the holes in the collar on top of the motor housing. (Figure 10) Carefully insert the hanger pin through the holes in the collar and downrod. Be careful not to jam the hanger pin against the wiring inside the downrod. Insert the locking pin through the hole near the end of the bolt until it snaps into its locked position, as noted in the circle inset of Figure 10.

7. Re-tighten the set screws on the collar on top of the motor housing.
8. Make sure the grommet is properly installed in the collar cover, then slide the collar cover on the downrod until it rests on the motor housing. Be sure that the canopy and the collar cover are both oriented correctly.
9. Proceed to "Installing the Fan" section.

WARNING

FAILURE TO PROPERLY INSTALL SET SCREWS AS NOTED IN STEP 7 COULD RESULT IN FAN LOOSENING AND POSSIBLY FALLING.

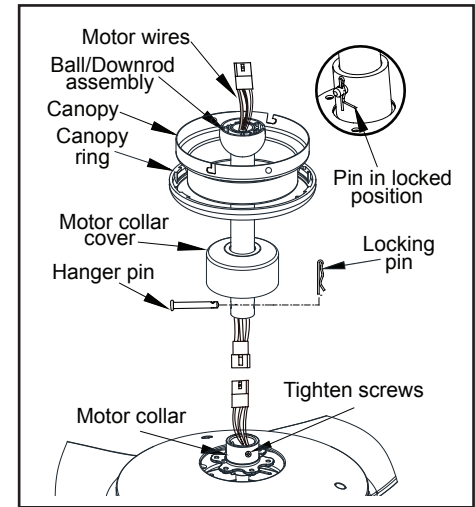


Figure 10

Installing Fan to the Electrical Box

WARNING

WHEN USING THE STANDARD BALL/DOWNROD MOUNTING, THE TAB IN THE RING AT THE BOTTOM OF THE MOUNTING BRACKET MUST REST IN THE GROOVE OF THE HANGER BALL. FAILURE TO PROPERLY SEAT THE TAB IN THE GROOVE COULD CAUSE DAMAGE TO WIRING.

1. Pass the 120-volt supply wires through the center hole in the ceiling mounting bracket as shown in Figure 11.
2. Install the ceiling mounting bracket on the electrical box by using the mounting screws provided with the electrical box. Note that the flat side of the mounting bracket is toward the electrical box. (Figure 11)
3. Tighten the two screws on the electrical box securely.
4. Carefully lift the fan assembly up to the ceiling mounting bracket. Make sure the tab on the mounting bracket is properly seated in the groove in the hanger ball. (Figure 12)

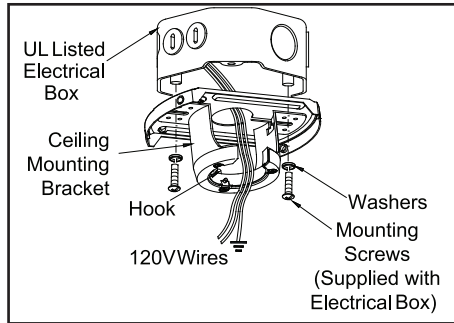


Figure 11

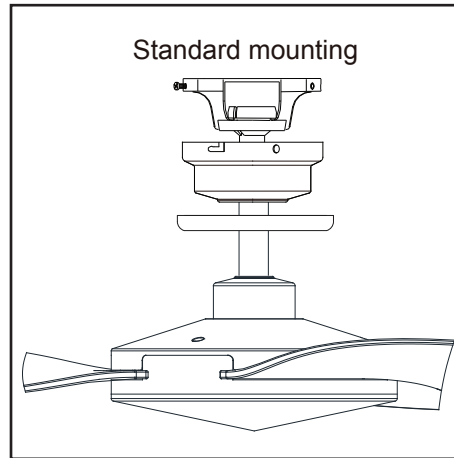


Figure 12

Installing the Receiver into the Mounting Bracket

1. Position the house supply wires to one side of the slide-on mounting bracket; position the fan wires to the opposite side.
2. Insert the narrow end of the receiver (as shown, flat side toward ceiling) into the slide-on mounting bracket until it rests on top of the ball/downrod assembly. (Figure 13)

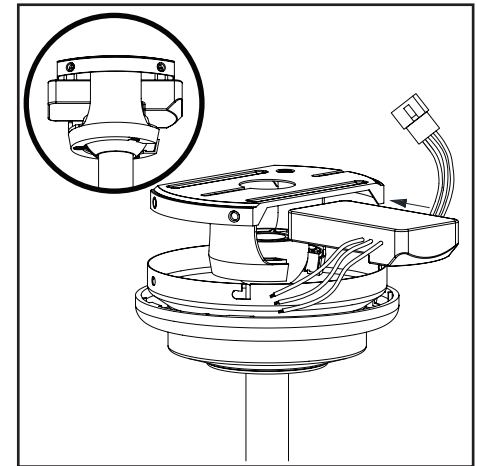


Figure 13

Wiring the Receiver to the Household Wiring

1. Connect the green wire to the household ground wires using a wire connecting nut.
2. Connect the receiver black wire to the household black wire using a wire connecting nut.
3. Connect the receiver white wire to the household white wire using a wire connecting nut.

Wiring the Fan to the Receiver

1. If using the 6 in. ball downrod assembly provided, wire the receiver to the fan wires by connecting the molded adaptor plug from this receiver with the molded adaptor of the fan motor assembly together. (Figure 14)
2. If you wish to use longer downrod, you can use the extension lead wire (66 in.) provided by connecting the molded adaptors together.

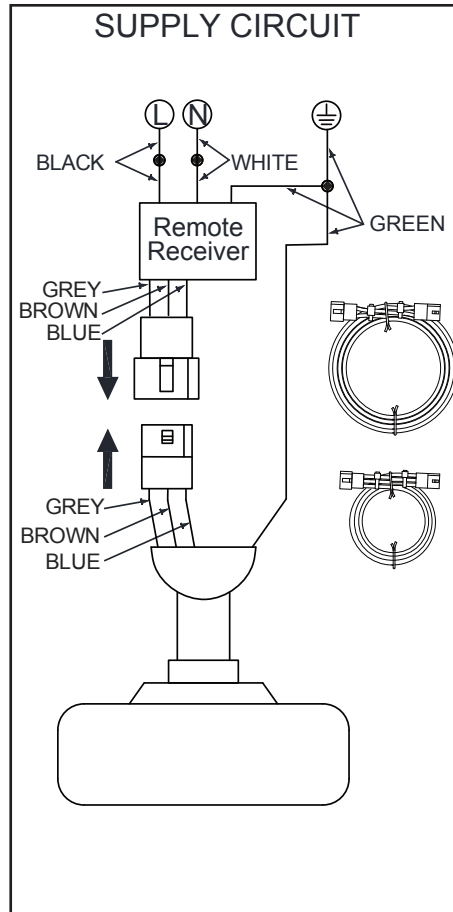


Figure 14

Finishing the Fan Installation

STANDARD CEILING MOUNTING

WARNING

WHEN USING THE STANDARD BALL/DOWNROD MOUNTING, THE TAB IN THE RING AT THE BOTTOM OF THE MOUNTING PLATE MUST REST IN THE GROOVE OF THE HANGER BALL. FAILURE TO PROPERLY SEAT THE TAB IN THE GROOVE COULD CAUSE DAMAGE TO WIRING.

1. Align the locking slots of the ceiling canopy with the two screws in the mounting plate. Push up to engage the slots and turn clockwise to lock in place. Immediately tighten the two mounting screws firmly.
2. Install the remaining two mounting screws into the holes in the canopy and tighten firmly.
3. Install the decorative canopy ring by aligning the ring's slots with the screws in the canopy. Rotate the ring clockwise to lock in place. (Figure 15)

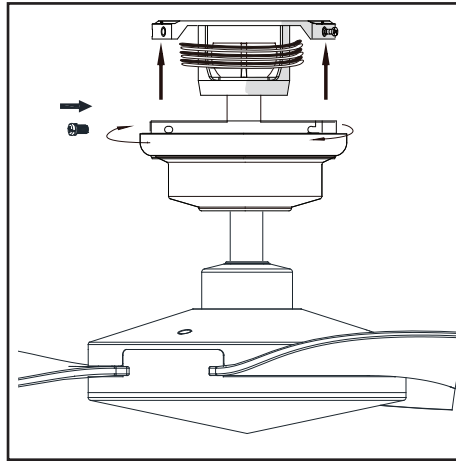


Figure 15

Blade Balancing

All blades are grouped by weight. Because materials vary in density, the fan may wobble even though the blades are weight matched.

The following procedure should correct most fan wobble. Check after each step.

1. Check that all blade screws are secure.
2. Most fan wobble problems are caused when blade levels are unequal. Check this level by selecting a point on the ceiling above the tip of one of the blades. Measure from a point on the center of each blade to the point on the ceiling. Measure this distance as shown in Figure 16. Rotate the fan until the next blade is positioned for measurement. Repeat for each blade. Measurements deviation should be within 1/8". Run the fan for 10 minutes.
3. Make sure that canopy is tightened securely to ceiling mounting bracket and that the ceiling mounting bracket is tightened securely to the electrical box.
4. Interchanging two adjacent blades can redistribute the weight and possibly result in the smoother operation.
5. Use the enclosed Blade Balancing Kit if the blade wobble is still noticeable.

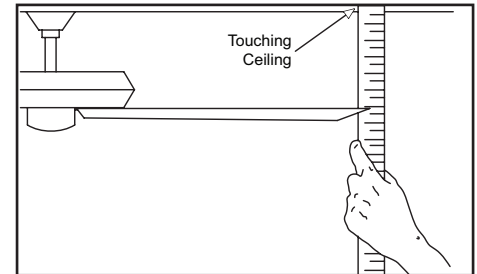


Figure 16

Preparing the Remote Control

NOTE: The remote control has already been paired to the ceiling fan for your convenience. If you have two of the same model fans in your home, please follow the steps below to control each fan independently.

1. Remove the battery cover by pressing firmly on the arrow and sliding the cover off.
2. Install two 1.5V AAA batteries (included).
3. Slide the dip switch in the battery compartment to the “1” setting.
4. Confirm that the power to the fan is off at either the wall switch or breaker box.
5. Return power to the fan at the wall switch or breaker box.
6. Press and release the “Learn” button located in the remote’s battery compartment within 30 seconds of turning on the power.
7. If pairing is successful, the fan’s light kit will flash and the blades will begin to spin.
8. Replace the battery cover on the remote control.

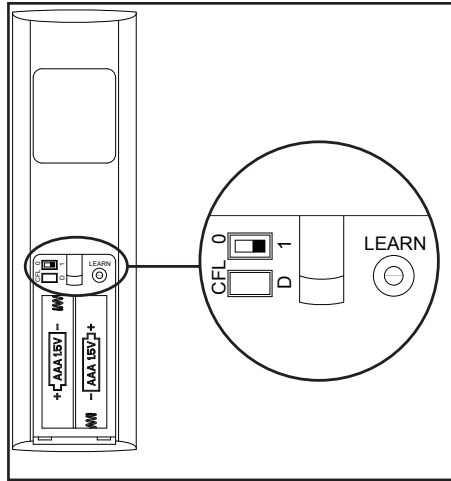


Figure 17

Mounting the remote control holder

NOTE: Screw wall anchors are included for extra support. The included screws are designed to screw easily into the wall. If you would like a more permanent or secure hold, install the wall anchors prior to attaching the wall cradle to the wall.

1. Position the wall cradle in the desired position and attach it to the wall using the included wall cradle screws.

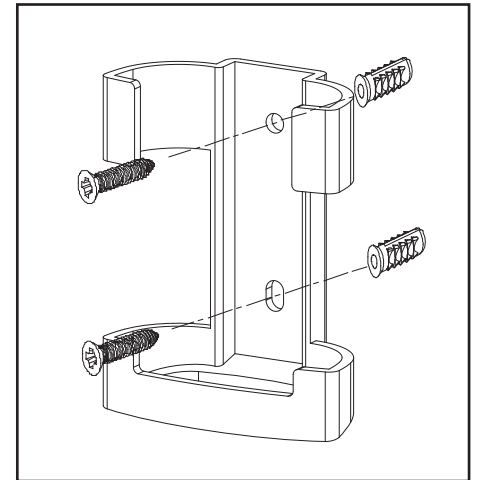


Figure 18

9. Remote Control

Remote Control

Timer:

While the fan is on press 2h - turns on a 2 hour run timer.

While the fan is on press 4h - turns on a 4 hour run timer.

While the fan is on press 8h - turns on a 8 hour run timer.

Comfort Breeze (speeds 1-3):

Press and release this button to enable the Breeze function, this will change your fan speed randomly (between speeds 1-3), simulating a relaxing breeze.

Comfort Breeze (speeds 4-6):

Press and release this button to enable the Breeze function, this will change your fan speed randomly (between speeds 4-6), simulating a relaxing breeze.

Fan speed:

Press and release 1: turns the fan speed to 1.

Press and release 2: turns the fan speed to 2.

Press and release 3: turns the fan speed to 3.

Press and release 4: turns the fan speed to 4.

Press and release 5: turns the fan speed to 5.

Press and release 6: turns the fan speed to 6.

Summer Mode - (Forward):

Changes direction of ceiling fan forward.

Winter Mode - (Reverse):

Changes direction of ceiling fan to reverse.

Power:

Turns fan On/Off.

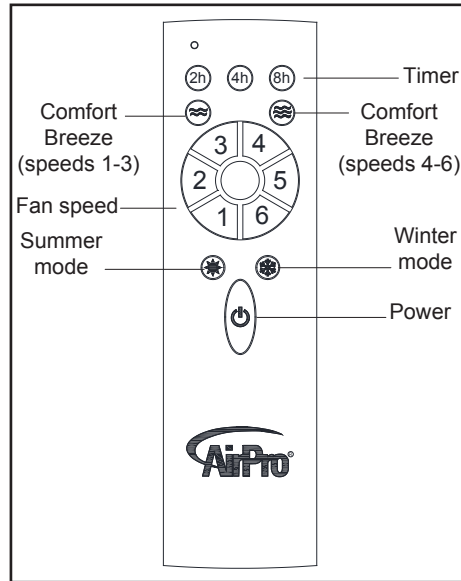


Figure 19

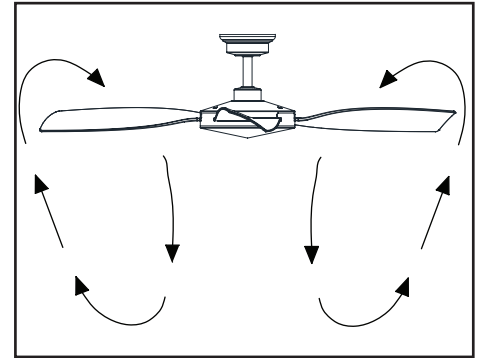


Figure 20

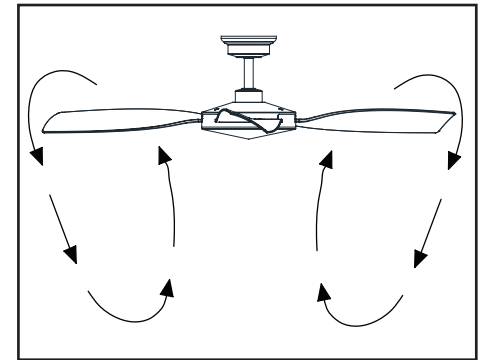


Figure 21

Warm weather - (Forward) A downward air flow creates a cooling effect as shown in Figure 20. This allows you to set your air conditioner on a higher setting without affecting your comfort.

Cool weather - (Reverse) An upward air flow moves warm air off the ceiling as shown in Figure 21. This allows you to set your heating unit on a lower setting without affecting your comfort.

Care of Your Fan

Here are some suggestions to help you maintain your fan.

1. Because of the fan's natural movement, some connections may become loose. **Check the support connections, brackets, and blade attachments twice a year.** Make sure they are secure. **(It is not necessary to remove fan from ceiling.)**
2. Clean your fan periodically to help maintain its new appearance over the years. Do not use water when cleaning, this could damage the motor, or possibly cause an electrical shock. Use only a soft brush or lint-free cloth to avoid scratching the finish. The plating is sealed with a lacquer to minimize discoloration or tarnishing. **Warning - Make sure the power is off before cleaning your fan.**
3. You can apply a light coat of furniture polish to the wood for additional protection and enhanced beauty. Cover small scratches with a light application of shoe polish.
4. **There is no need to oil your fan.** The motor has permanently lubricated sealed ball bearings.

Troubleshooting

Problem

Solution

Fan will not start

1. Check main and branch circuit fuses or breakers
2. Check line wire connections to the fan and switch wire connections in the switch housing. **CAUTION: Make sure main power is off.**
3. Check batteries in the transmitter. Does the red LED light come on? Are you standing close enough to the fan? (Normal range is 10-20 feet.) Are the dip switch settings the same on the transmitter (hand unit) and receiver? **REMEMBER TO TURN OFF POWER SUPPLY BEFORE CHECKING THE DIP SWITCH SETTINGS IN RECEIVER.**

Fan sounds noisy

1. Make sure all motor housing screws are snug.
2. Make sure the screws that attach the fan blade bracket to the motor hub are tight.
3. Make sure wire nut connections are not rattling against each other or the interior wall of the switch housing. **CAUTION: Make sure power is off.**
4. Allow a 24-hour "breaking in" period. Most noises associated with a new fan disappear during this time.
5. If using the Ceiling Fan light kit, make sure the screws securing the glassware are tight. Check that the light bulb is also secure.
6. Make sure the canopy is a short distance from the ceiling. It should not touch the ceiling.
7. Make sure your electrical box is secure and rubber isolator pads were used between the mounting bracket and electrical box.

WARNING

MAKE SURE THE POWER IS OFF AT THE ELECTRICAL PANEL BOX BEFORE YOU ATTEMPT TO MAKE ANY REPAIRS. REFER TO THE SECTION, "MAKING ELECTRICAL CONNECTIONS."

11. Care of Your Fan and Troubleshooting

FAN SIZE	SPEED	VOLTS	FAN POWER CONSUMPTION (WITHOUT LIGHTS) WATTS	AIRFLOW CFM	AIRFLOW EFFICIENCY (HIGHER IS BETTER) CFM/WATT	NET WEIGHT	GROSS WEIGHT	CUBE FEET
54"	Low	120	5	2351	470	16.31 Lbs	18.96 Lbs	2.04
	High		35.24	4521	140			

This equipment has been tested and found to comply with the limits for a Class B digital device, pursuant to Part 15 of the FCC Rules. These limits are designed to provide reasonable protection against harmful interference in a residential installation. This equipment generates, uses and can radiate radio frequency energy and, if not installed and used in accordance with the instructions, may cause harmful interference to radio communications. However, there is no guarantee that interference will not occur in a particular installation. If this equipment does cause harmful interference to radio or television reception, which can be determined by turning the equipment off and on, the user is encouraged to try to correct the interference by one or more of the following measures:

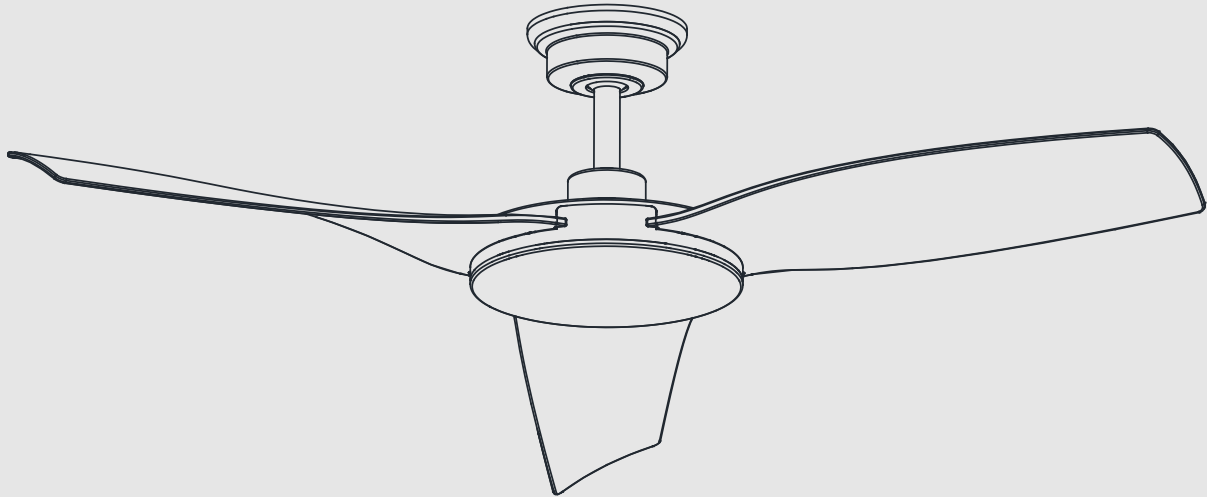
- Reorient or relocate the receiving antenna.
- Increase the separation between the equipment and receiver.
- Connect the equipment into an outlet on a circuit different from that to which the receiver is connected.
- Consult the dealer or an experienced radio/TV technician for help.

CAUTION:

Any changes or modifications not expressly approved by the grantee of this device could void the user's authority to operate the equipment. This device complies with Part 15 of the FCC Rules. Operation is subject to the following two conditions: (1) This device may not cause harmful interference, and (2) this device must accept any interference received, including interference that may cause undesired operation.



Manual de instalación de ventilador de techo



Garantía limitada de por vida

Los motores de ventilador Progress Lighting se garantizan al comprador original como libres de defectos eléctricos y/o mecánicos por el tiempo en que estén en su posesión como dueño. Los interruptores activados por cadena, los interruptores de reversa, los capacitores y los acabados de metal se garantizan como libres de defectos materiales o de fabricación por el plazo de 1 año desde la fecha de compra. Las deformaciones de las aspas de madera o plástico no están cubiertas por esta garantía. Tampoco lo están la corrosión y/o deterioro del acabado de ventiladores instalados a menos de diez millas de cualquier costa del mar. Pudieran aplicarse garantías extendidas para productos ENERGY STAR® que califiquen.

Los ventiladores de techo Progress Lighting con fuentes de luz LED incorporadas, si han sido bien instalados y bajo condiciones normales de uso, se garantizan como libres de defectos materiales y de fabricación que puedan causar un fallo en el funcionamiento según las especificaciones de dichas fuentes de luz durante un periodo de (i) cinco (5) años a partir de la fecha de compra para los módulos de luz LED y componentes eléctricos de ventiladores usados en residencias unifamiliares y durante (ii) tres (3) años para ventiladores usados residencias multifamiliares o en instalaciones comerciales. Las bombillas LED suministradas por Progress Lighting sólo poseen la garantía del fabricante. Las bombillas que no sean LED no tienen garantía.

Con prueba de la compra, el comprador original puede devolver el ventilador defectuoso, para su reposición, al lugar donde lo compró, dentro de los 30 días siguientes a la compra. Pasados 30 días, el comprador original TIENE que contactar a Progress Lighting llamando al (864) 678-1000 para reparación o reposición, según determine Progress Lighting a su entera discreción, y este será el único y exclusivo remedio del comprador.

Se excluyen cargos por mano de obra y envío. Esta garantía no cubre ningún costo ni cargo asociado a la mano de obra (incluyendo, pero sin limitarse a, los cargos del electricista) que se requiera para instalar, retirar o reponer un ventilador o cualquiera de sus partes.

Esta garantía no cubre ninguna pérdida o daño resultante de (i) desgaste normal o alteración, mal uso, abuso o negligencia, o (ii) instalación, operación, reparación o mantenimiento incorrectos por el comprador original o un tercero, incluso sin limitación del suministro de tensión o sobrecarga de alimentación, uso de piezas o accesorios inadecuados, reparación no autorizada (realizada o intentada) o falta de mantenimiento al ventilador.

LAS GARANTÍAS ANTERIORES ESTABLECEN LA OBLIGACIÓN DE GARANTÍA TOTAL DE PROGRESS LIGHTING Y EL ÚNICO Y EXCLUSIVO REMEDIO DEL COMPRADOR ORIGINAL RELACIONADO CON DICHO PRODUCTO. PROGRESS LIGHTING NO ES RESPONSABLE POR NINGÚN DAÑO (SEAN INDIRECTOS, ESPECIALES, INCIDENTALES O CONSECUENTES) DEBIDO A FALLAS DEL PRODUCTO, YA SEAN DERIVADAS DE INCUMPLIMIENTO DE LA GARANTÍA O DEL CONTRATO, O DE CUALQUIER OTRA CAUSA. ESTA GARANTÍA SE OTORGA EN LUGAR DE TODAS LAS DEMÁS, YA SEAN EXPRESAS O IMPLÍCITAS, INCLUIDAS LAS GARANTÍAS DE COMERCIABILIDAD, IDONEIDAD PARA UN PROPÓSITO EN PARTICULAR O NO INFRACCIÓN.

Algunos estados no permiten limitaciones en la duración de una garantía implícita ni exclusión o limitaciones de daños incidentales o consecuentes, así que las exclusiones o limitaciones anteriores pudieran no aplicarse a su caso. Esta garantía le otorga derechos específicos y es posible que usted tenga otros, que varían de estado a estado.

Fecha de compra _____

Tienda donde
se compró _____

Modelo UL N°. P250071

Número de serie _____

Proveedor N°. 111017

UPC 785247261048,

785247261031,

785247261055



Normas de seguridad	1
Cómo desempacar el ventilador	2
Cómo instalar el ventilador	3
Cómo hacer las conexiones eléctricas	6
Cómo usar el ventilador	10
Cuidado del ventilador	11
Solución de problemas	11
Especificaciones	12

Tabla de contenido

LEE Y GUARDA ESTAS INSTRUCCIONES

1. Para disminuir el riesgo de descarga eléctrica, antes de comenzar la instalación asegúrate de que la electricidad ha sido cortada en el cortacircuitos o en la caja de fusibles.
2. Todo el cableado tiene que cumplir con el Código Nacional de Electricidad ANSI/NFPA 70-1999 y con los códigos locales de electricidad. La instalación eléctrica debe hacerse por un electricista calificado con licencia.
3. CUIDADO: Para reducir el riesgo de lesiones físicas, usa sólo los tornillos suministrados con la caja de distribución.
4. La caja eléctrica y estructura de soporte tienen que montarse de forma segura para poder sostener con confianza 35 lb. (15.9 kg). Usa solo cajas eléctricas aprobadas por cUL y marcadas como “apropiadas para sostener ventiladores de 35 lb (15.9 kg) o menos”.
5. CUIDADO: El ventilador tiene que montarse con al menos 7 pies (2.13 m) de separación entre el borde trasero de las aspas y el piso.
6. No esperes a que el ventilador se detenga antes de presionar el botón de reversa. Si el ventilador no está en movimiento, no cambiará de dirección.
7. Evita colocar objetos en la trayectoria de las aspas.
8. Para evitar lesiones personales o daños al ventilador y otros artículos, ten cuidado al limpiarlo o al trabajar cerca de él.
9. No usar agua ni detergentes para limpiar el ventilador o las aspas. Para limpiar, casi siempre será adecuado un paño seco o ligeramente humedecido con que quitar el polvo.
10. Después de concluir con las conexiones eléctricas, debes voltear los conductores empalmados hacia arriba y empujarlos con cuidado hacia dentro de la caja de distribución. Los cables deben estar separados, con el cable y el conductor a tierra del equipo hacia uno de los lados de la caja eléctrica y el conductor sin conexión a tierra hacia el lado opuesto.
11. Los diagramas eléctricos son sólo para referencia. Los kits de luces no empaquetados con el ventilador tienen que estar aprobados por UL y marcados como apropiados para usar con el modelo de ventilador que estás instalando. Los interruptores tienen que estar clasificados de uso general por UL. Para ensamblar bien, consulta las instrucciones adjuntas a los kits de luces e interruptores.
12. Antes de la instalación, todos los tornillos de fijación tienen que comprobarse y reajustarse donde sea necesario.
13. ADVERTENCIA: Para reducir el riesgo de incendio o descarga eléctrica, este ventilador solo debe usarse con el control de velocidad de ventilador con número de pieza DP-5R, fabricado por DAWNSUN ELECTRONIC TECHNOLOGY CO LTD ZHONGSHAN.
14. Puede usarse en lugares húmedos.

ADVERTENCIA

PARA REDUCIR EL RIESGO DE INCENDIO, DESCARGA ELÉCTRICA U OTRAS LESIONES, INSTALA SÓLO EN UNA CAJA ELÉCTRICA CLASIFICADA COMO “APROPIADA PARA SOSTENER VENTILADORES DE 35 LB (15.9 KG) O MENOS”, Y USA SÓLO LOS TORNILLOS INCLUIDOS CON LA CAJA ELÉCTRICA.

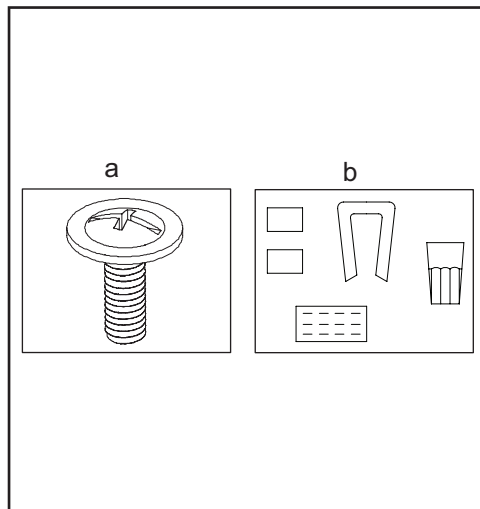
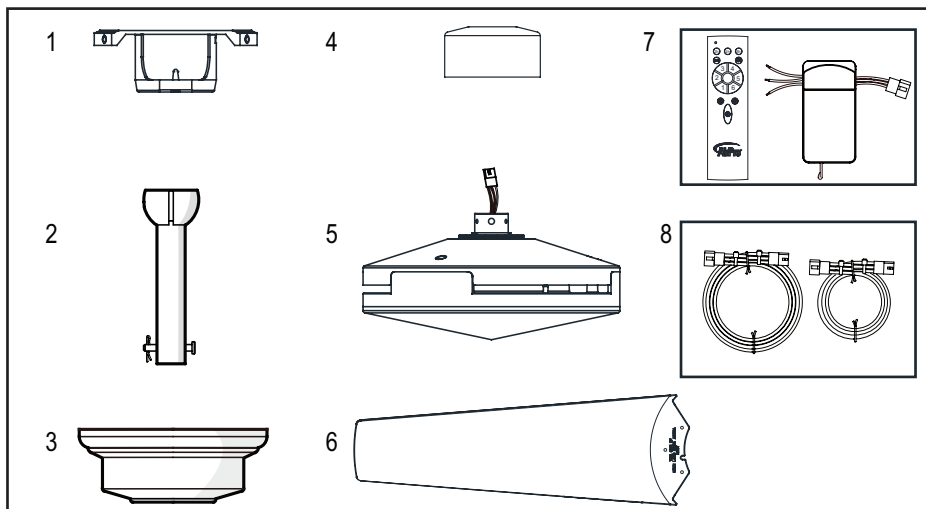
ADVERTENCIA

PARA REDUCIR EL RIESGO DE LESIONES PERSONALES, NO DOBLES LOS BRAZOS DE LAS ASPAS (TAMBIÉN LLAMADOS “REBORDES”) NI DURANTE NI DESPUÉS DE LA INSTALACIÓN. NO COLOCAR OBJETOS EN LA TRAYECTORIA DE LAS ASPAS.

ADVERTENCIA

PARA EVITAR EL RIESGO DE DESCARGA ELÉCTRICA, ESTE VENTILADOR DEBE SER INSTALADO CON UN CONTROL/INTERRUPTOR DE AISLAMIENTO DE MONTAJE EN PARED.

1. Normas de seguridad



Desempaca tu ventilador y revisa el contenido. Debes tener los siguientes artículos:

- | | |
|--|---|
| 1. Soporte de montaje (dentro de la cubierta) | 4. Cubierta decorativa del collarín del motor |
| 2. Conjunto de tubo bajante/esfera de 6" (15.2 cm) (con pasadores de soporte y de cierre prefijados) | 5. Conjunto del motor del ventilador |
| 3. Cubierta con aro de cubierta (acoplado) | 6. Aspas (3) |
| | 7. Transmisor y receptor |
| | 8. Extensión de cable terminal |

- a. **Herrajes de montaje de aspas** (10 tornillos)
- b. **Kit de compensación y componentes eléctricos** (1 conector plástico de cable, kit de compensación de aspas)

2. Cómo desempacar el ventilador

Herramientas necesarias

Destornillador Phillips o de punta plana, llave ajustable, escalera de tijera y cortacables.



Opciones de montaje

Si no hay una caja eléctrica presente, lee las siguientes instrucciones. **Desconecta la energía retirando los fusibles o apagando los cortacircuitos.**

Asegura la caja eléctrica directamente a la estructura de la edificación. Usa sujetadores y materiales de construcción apropiados. La caja eléctrica y su soporte tienen que poder sostener todo el peso en movimiento del ventilador (al menos 35 lb = 15.9 kg). **No uses cajas eléctricas de plástico.**

ADVERTENCIA

PARA REDUCIR EL RIESGO DE INCENDIO, DESCARGA ELÉCTRICA U OTRAS LESIONES, INSTALA SÓLO EN UNA CAJA ELÉCTRICA CLASIFICADA COMO "APROPIADA PARA SOSTENER VENTILADORES DE 35 LB (15.9 KG), O MENOS", Y USA SÓLO LOS TORNILLOS INCLUIDOS CON LA CAJA ELÉCTRICA. LAS CAJAS ELÉCTRICAS UTILIZADAS COMÚNMENTE PARA EL SOPORTE DE ARTÍCULOS DE ILUMINACIÓN PUEDEN NO SERVIR COMO UN SOPORTE DE VENTILADOR, Y TAL VEZ DEBAN REEMPLAZARSE. EN CASO DE DUDA, CONSULTA A UN ELECTRICISTA CALIFICADO.

Las figuras 1, 2 y 3 ejemplifican diferentes maneras de montar la caja eléctrica.

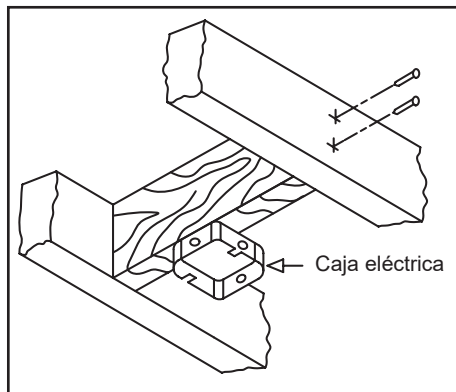


Figura 1

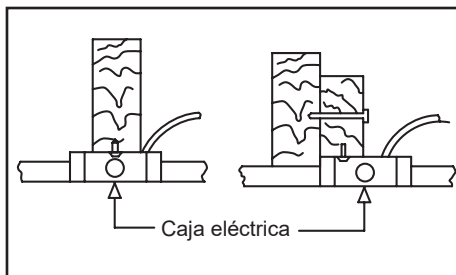


Figura 2

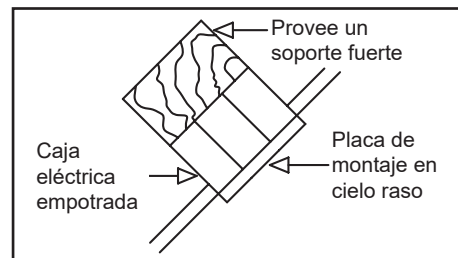


Figura 3

Nota: Tal vez necesites un tubo bajante más largo para mantener la altura mínima adecuada de las aspas al instalar el ventilador en un techo inclinado. **El ángulo máximo permitido es 20°.** Si la cubierta toca el tubo bajante, gira la cubierta 180° antes de fijarla a la placa de montaje.

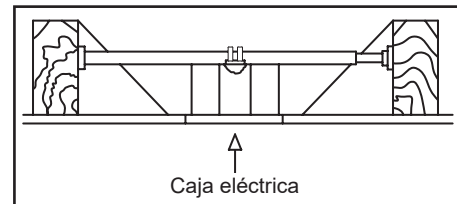


Figura 4

Para colgar el ventilador donde haya una lámpara, pero ninguna viga de techo, tal vez necesites una barra colgante como se muestra en la Figura 4.

3. Cómo instalar el ventilador

Cómo fijar las aspas del ventilador

1. Quita los tres tornillos de la parte superior del ensamblaje del motor del ventilador, luego retira la carcasa superior (Figura 5)
2. Fija las aspas al conjunto del motor del ventilador alineando las muescas de las aspas con el poste de alineación en el volante y coloca las aspas en el volante; asegúralas con tornillos y apriétalas. Repite estos pasos para ensamblar las aspas restantes. (Figura 6)
3. Coloca la carcasa superior en el conjunto del motor del ventilador, asegúrala con los tornillos y apriétala (Figura 7).
4. Comprueba que todos los tornillos estén firmemente apretados.

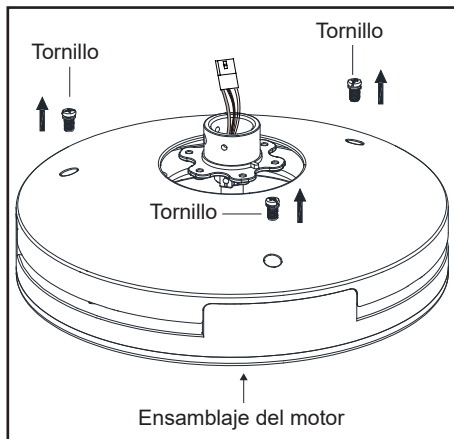


Figura 5

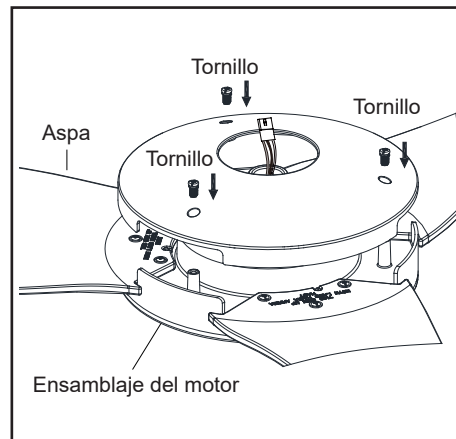


Figura 7

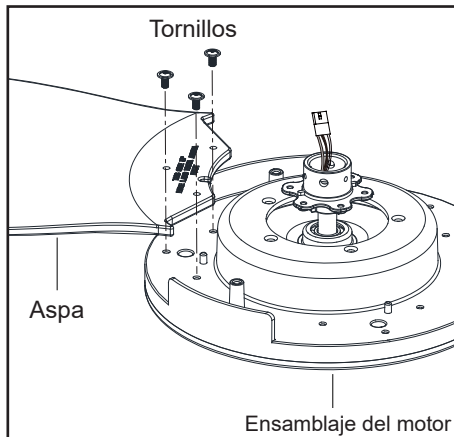


Figura 6

Cómo colgar el ventilador

RECUERDA cortar el suministro de electricidad. Sigue los pasos más abajo para colgar correctamente tu ventilador.

NOTA: Se recomienda instalar este ventilador en techo interior estándar usando el tubo bajante incluido. Cuando uses una instalación de techo estándar con el tubo bajante de 6 pulgadas (15.2 cm) suministrado, la distancia desde el techo a la parte inferior de las aspas será de unas 11 pulgadas (28 cm).

Montaje estándar en techo

1. Retira el aro de la cubierta, girándolo en sentido contrario a las agujas del reloj hasta que se libere. (Figura 8)
2. Retira el soporte de montaje de la cubierta aflojando los cuatro tornillos en la parte superior de la cubierta. Quita los dos tornillos sin ranura y afloja los tornillos ranurados. Esto te permitirá retirar el soporte de montaje (Figura 9)
3. Retira los pasadores de soporte y de cierre en el conjunto del tubo bajante.
4. Coloca el tubo bajante sobre la cubierta y el aro de la cubierta, desliza la cubierta del collarín del motor sobre el tubo bajante. Conecta los cables de extensión a los cables del motor. Asegúrate de que los conectores rápidos estén bien sujetos. Inserta los cables a través del conjunto del tubo bajante/esfera. (Figura 10)

5.

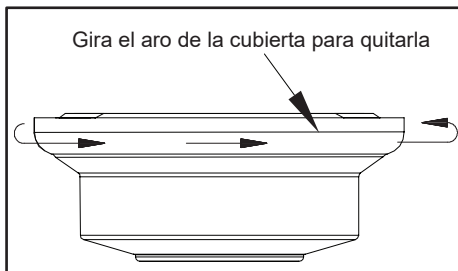


Figura 8

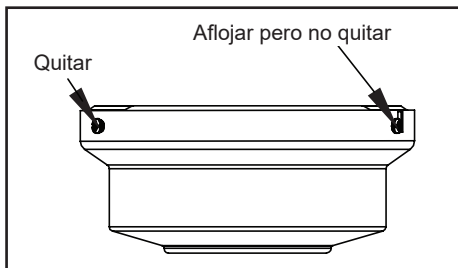


Figura 9

5. Afloja, sin quitarlos, los tornillos de fijación en el collarín de la parte superior de la carcasa de motor.
6. Alinea los orificios en la parte inferior del tubo bajante con aquellos del collarín en la parte superior de la carcasa de motor. (Figura 10) Inserta con cuidado el pasador de soporte a través de los orificios del collarín y del tubo bajante. Ten cuidado de no apretar contra el cableado dentro del tubo bajante. Inserta el pasador de cierre en el orificio cercano al extremo del perno hasta que encaje en su posición, como se muestra en el círculo de la Figura 10.

7. Vuelve a apretar los tornillos del collarín en la parte superior de la carcasa del motor.
8. Asegúrate de que el ojal quede instalado correctamente en la cubierta del collarín y desliza enseguida la cubierta del collarín por el tubo bajante hasta quedar sobre la carcasa del motor. Asegúrate de que tanto la cubierta como la cubierta del collarín estén orientadas correctamente.
9. Pasa a la sección "Cómo instalar el ventilador".

ADVERTENCIA

SI NO INSTALAS BIEN LOS TORNILLOS DE FIJACIÓN, COMO SE INDICA EN EL PASO 7, PUEDEN AFLOJARSE Y POSIBLEMENTE SE CAERÁ EL VENTILADOR.

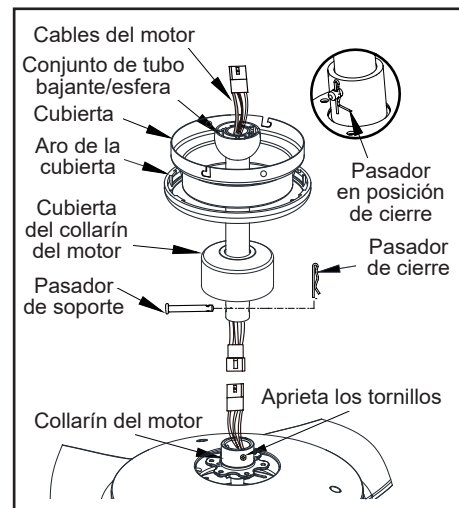


Figura 10

Cómo instalar el ventilador en la caja eléctrica

ADVERTENCIA

EN EL MONTAJE ESTÁNDAR DE TUBO BAJANTE/ESFERA, LA PESTAÑA EN EL ARO DE LA PARTE INFERIOR DEL SOPORTE DE MONTAJE TIENE QUE ENCAJAR EN LA RANURA DE LA BOLA DE SOPORTE. SI NO ENCAJA BIEN LA PESTAÑA EN LA RANURA, PUEDE DAÑARSE EL CABLEADO.

1. Pasa los cables de suministro de 120 voltios a través del orificio central en el soporte de montaje de techo como lo muestra la Figura 11.
2. Instala el soporte de montaje de techo sobre la caja eléctrica, usando los tornillos de montaje incluidos. Nota que el lado plano del soporte de montaje está hacia la caja eléctrica. (Figura 11)
3. Aprieta bien los dos tornillos en la caja eléctrica.
4. Con cuidado alza el conjunto del ventilador hasta el soporte de montaje en el techo. Asegúrate de que la pestaña en el soporte de montaje esté bien asentada dentro de la ranura de la bola de soporte. (Figura 12)

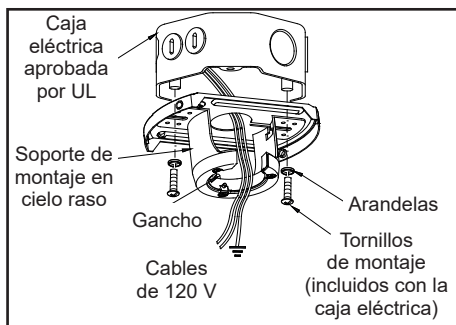


Figura 11

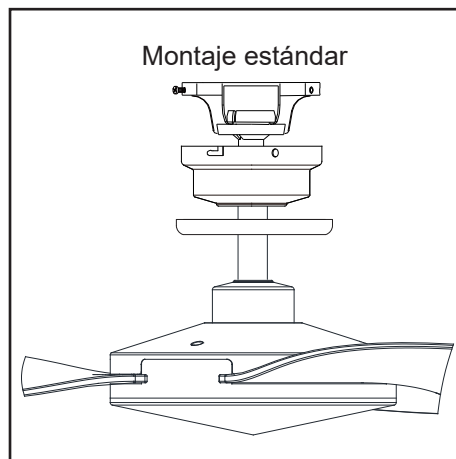


Figura 12

Cómo instalar el receptor en el soporte de montaje

1. Coloca los cables de suministro del hogar a un lado del soporte de montaje deslizante; coloca los cables del ventilador en el lado opuesto.
2. Inserta el extremo angosto del receptor (como se muestra: el lado plano hacia el techo) en el soporte de montaje deslizante hasta dejarlo apoyado en la parte superior del conjunto de tubo bajante/esfera. (Figura 13)

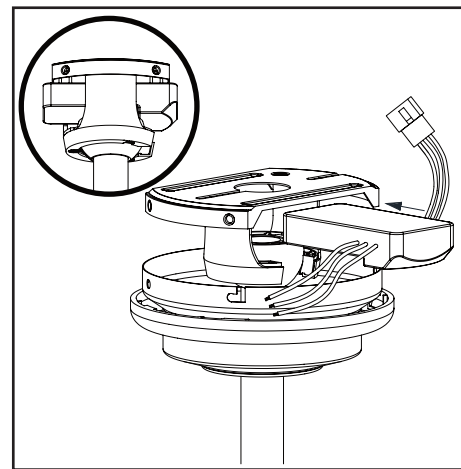


Figura 13

Cómo cablear el receptor al cableado del hogar

1. Conecta el cable verde a los cables de tierra del hogar con una tuerca de conexión de cables.
2. Conecta el cable negro del receptor al cable negro del hogar usando una tuerca de conexión de cables.
3. Conecta el cable blanco del receptor al cable blanco del hogar, usando una tuerca de conexión de cables.

Cómo cablear el ventilador al receptor

1. Si usas el conjunto del tubo bajante/esfera de 6 plg (15.2 cm) incluido, conecta los cables del receptor a los cables del ventilador uniendo el enchufe del adaptador moldeado del receptor con el adaptador moldeado del conjunto del motor del ventilador. (Figura 14)
2. Si deseas un tubo bajante más largo, puedes usar la extensión de cable conductor (66 plg = 168 cm) proporcionado al conectar los enchufes con adaptadores moldeados.

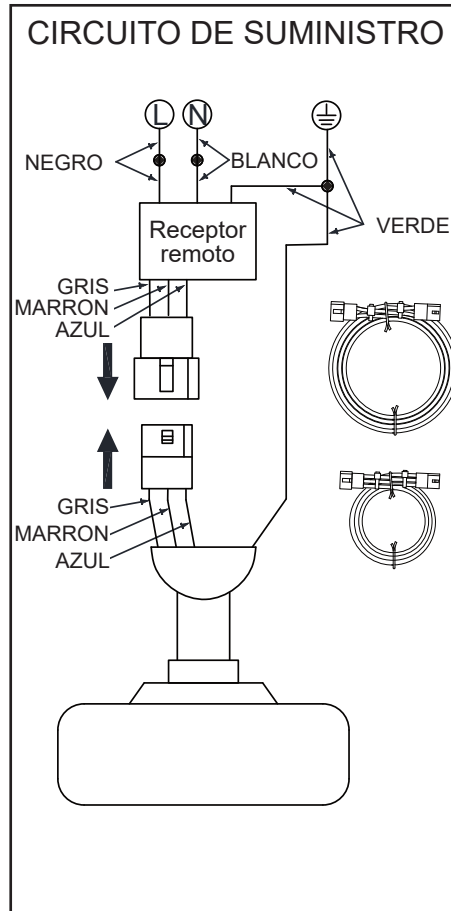


Figura 14

Cómo finalizar la instalación del ventilador

MONTAJE ESTÁNDAR EN CIELO RASO

ADVERTENCIA

EN EL MONTAJE ESTÁNDAR DE TUBO BAJANTE/ESFERA, LA PESTAÑA EN EL ARO DE LA PARTE INFERIOR DE LA PLACA DE MONTAJE TIENE QUE ENCAJAR EN LA RANURA DE LA BOLA DE SOPORTE. SI NO ENCAJA BIEN LA LENGÜETA EN LA RANURA, PUEDE DAÑARSE EL CABLEADO.

1. Alinea las ranuras de cierre de la cubierta de techo con los dos tornillos de la placa de montaje. Empuja hacia arriba para enganchar las ranuras y gira de izquierda a derecha para asegurarlas en su lugar. Inmediatamente aprieta con firmeza los dos tornillos de montaje.
2. Instala los dos tornillos de montaje restantes en los orificios de la cubierta y aprieta firmemente.
3. Instala el aro de cubierta decorativa alineando las ranuras del aro con los tornillos en la cubierta. Gira el aro hacia la derecha para fijarlo en su lugar. (Figura 15)

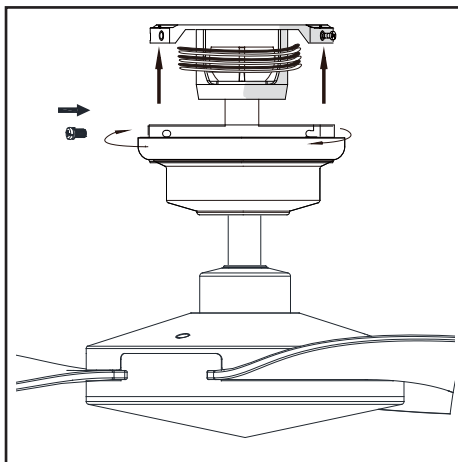


Figura 15

Cómo equilibrar las aspas

Todas las aspas se agrupan por peso. Puesto que los materiales varían en densidad, el ventilador puede oscilar aunque las aspas tengan el mismo peso.

El siguiente procedimiento corregirá en gran medida la oscilación del ventilador. Verifica después de cada paso.

1. Verifica que todos los tornillos de las aspas estén asegurados.
2. La mayoría de los problemas de oscilación del ventilador se deben a que las aspas no

están al mismo nivel. Verifica este nivel seleccionando un punto en el techo sobre la punta de una de las aspas. Mide desde un punto en el centro de cada aspa al punto en el techo. Mide esta distancia como se muestra en la Figura 16. Gira el ventilador hasta que la siguiente aspa quede en posición para medir. Repite el procedimiento para cada aspa. Las desviaciones de la medición no deben pasar de 1/8" (3.2 mm). Enciende el ventilador por 10 minutos.

3. Asegúrate de que la cubierta esté bien fijada al soporte de montaje en el techo y de que este último esté bien fijado a la caja eléctrica.
4. Intercambiar dos aspas adyacentes puede redistribuir el peso y posiblemente mejorar el funcionamiento.
5. Usa el kit de compensación de aspas adjunto si sigues notando oscilación.

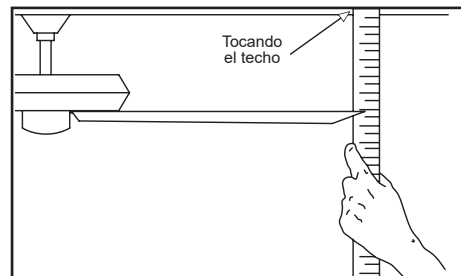


Figura 16

Cómo preparar el control remoto

NOTA: El control remoto ya ha sido configurado con el ventilador de techo para tu conveniencia. Si tienes dos ventiladores del mismo modelo en tu hogar, sigue los pasos de abajo para controlar cada ventilador por separado.

1. Quita la cubierta de la batería presionando con firmeza sobre la flecha y deslizando la cubierta hasta liberarla.
2. Instala dos baterías AAA de 1.5 V (incluidas).
3. Desliza el interruptor del compartimiento de las baterías a la configuración “1”.
4. Confirma que la electricidad del ventilador está cortada en el interruptor de pared o en la caja del cortacircuitos.
5. Conecta la electricidad al ventilador usando el interruptor de pared o la caja del cortacircuitos.
6. Presiona y suelta el botón “Learn” en el compartimiento de la batería del control remoto dentro de los 30 segundos siguientes al retorno de la corriente eléctrica al ventilador.

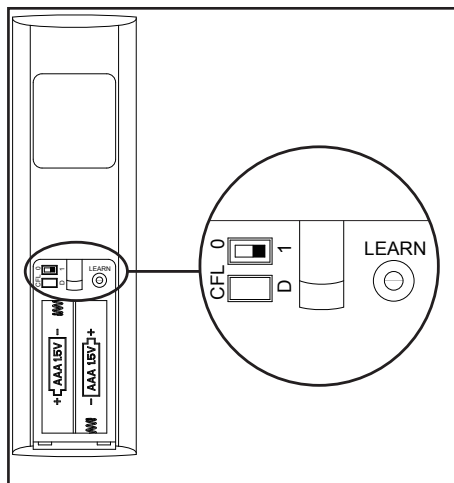


Figura 17

7. Si la configuración es exitosa, el kit de luces del ventilador parpadeará y las aspas comenzarán a girar.
8. Coloca de nuevo la cubierta en el control remoto.

Cómo instalar el soporte del control remoto

NOTA: Se incluyen anclajes de pared con tornillos para soporte adicional. Los tornillos incluidos están diseñados para atornillarse fácilmente en la pared. Si deseas una sujeción más permanente o segura, instala los anclajes de pared antes de fijar el soporte de pared a la pared.

1. Coloca el soporte de pared en la posición deseada y fíjalo a la pared con los tornillos del soporte de pared incluidos.

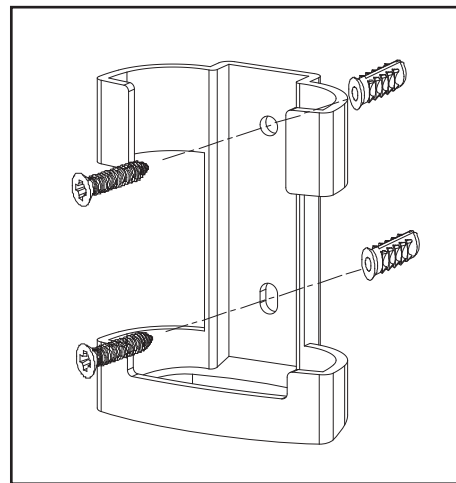


Figura 18

9. Control remoto

Control remoto

Temporizador:

Con el ventilador encendido, oprime el botón 2h para activar el temporizador con 2 horas de funcionamiento.

Con el ventilador encendido, oprime el botón 4h para activar el temporizador con 4 horas de funcionamiento.

Con el ventilador encendido, oprime el botón 8h para activar el temporizador con 8 horas de funcionamiento.

Comfort Breeze (velocidades 1-3):

Oprime y suelta este botón para activar la función Breeze [Brisa]; esto hará que la velocidad del ventilador cambie aleatoriamente (entre la 1 y la 3), imitando una brisa relajante.

Comfort Breeze (velocidades 4-6):

Oprime y suelta este botón para activar la función Breeze [Brisa]; esto hará que la velocidad del ventilador cambie aleatoriamente (entre la 4 y la 6), imitando una brisa relajante.

Velocidad del ventilador:

Presionar y soltar 1: convierte la velocidad del ventilador a 1.

Presionar y soltar 2: convierte la velocidad del ventilador a 2.

Presionar y soltar 3: convierte la velocidad del ventilador a 3.

Presionar y soltar 4: convierte la velocidad del ventilador a 4.

Presionar y soltar 5: convierte la velocidad del ventilador a 5.

Presionar y soltar 6: convierte la velocidad del ventilador a 6.

Modo de verano - (Hacia adelante):

Cambia la dirección del ventilador de techo hacia adelante.

Modo de invierno - (Reversa):

Cambia la dirección del ventilador de techo a reversa.

Energía:

Enciende y apaga el ventilador (on/off).

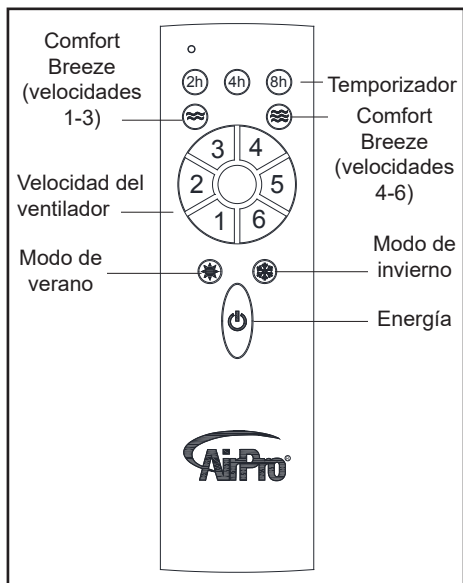


Figura 19

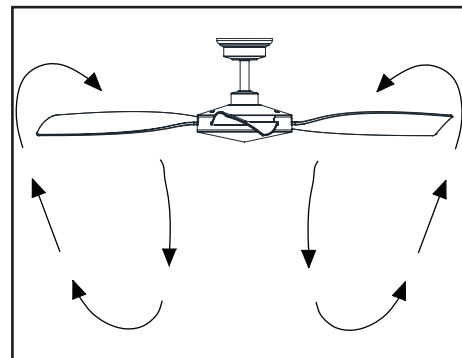


Figure 20

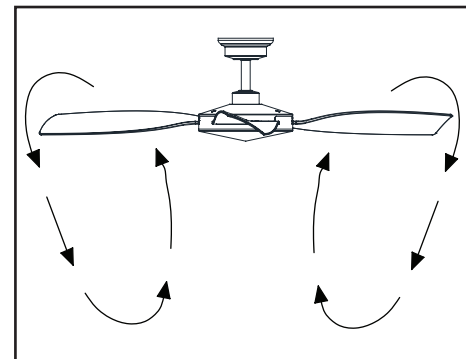


Figure 21

Clima cálido - (Hacia adelante) Un flujo de aire hacia abajo surte efecto refrescante, como se muestra en la Figura 20. Esto permite fijar tu aire acondicionado en una configuración más alta sin afectar tu comodidad.

Clima frío - (Reversa) Un flujo de aire hacia arriba desplaza el aire cálido lejos del techo, como se muestra en la Figura 21. Esto permite fijar tu unidad de calefacción en configuración más baja sin afectar tu comodidad.

Cuidado del ventilador

Aquí tienes algunas sugerencias para el mantenimiento de tu ventilador.

1. Por causa del movimiento natural del ventilador, algunas conexiones pueden aflojarse. **Revisa las conexiones de soporte, los soportes y los accesorios de aspas dos veces al año.** Comprueba que estén seguros. **(No es necesario desmontar el ventilador del techo).**
2. Hay que limpiar el ventilador con frecuencia para que luzca como nuevo al paso de los años. No uses agua al limpiar; esto puede dañar el motor e incluso provocar descargas eléctricas. Usa sólo un cepillo suave o un paño sin pelusas para evitar arañar el acabado. El revestimiento está sellado con laca para minimizar la decoloración u opacidad. **Advertencia - Asegúrate de que la electricidad esté cortada antes de limpiar tu ventilador.**
3. Puedes aplicar a la madera una fina capa de pulimento para muebles y asegurar así mayor protección y superior belleza. Cubre los arañazos pequeños con una leve aplicación de lustrador para calzado.
4. **Tu ventilador no necesita lubricación.** El motor tiene cojinetes de bola sellados y permanentemente lubricados.

Solución de problemas

Problema Solución

El ventilador no enciende

1. Verifica los fusibles o disyuntores principales y secundarios.
2. Verifica las conexiones de cables en línea al ventilador y de cables del interruptor en la caja de interruptores. **PRECAUCIÓN: Asegúrate de que la fuente principal de electricidad esté apagada.**
3. Verifica las baterías en el transmisor. ¿Se enciende la luz LED roja? ¿Estás lo suficientemente cerca del ventilador? (El rango normal es de 10-20 pies = 3 a 6 metros.) ¿Coinciden las configuraciones del interruptor en el transmisor (unidad de mano) y en el receptor? **RECUERDA CORTAR LA ELECTRICIDAD ANTES DE VERIFICAR LAS CONFIGURACIONES DEL INTERRUPTOR EN EL RECEPTOR.**

El ventilador hace ruido

1. Asegúrate de que los tornillos de la carcasa del motor estén bien ajustados.
2. Asegúrate de que los tornillos que unen el soporte de aspa al cuerpo del motor estén bien ajustados.
3. Asegúrate de que las conexiones de tuerca de cable no choquen unas con otras ni con la pared interior de la caja del interruptor. **PRECAUCIÓN: Asegúrate de que la electricidad está cortada.**
4. Deja que transcurra un período de “adaptación” de 24 horas. La mayoría de los ruidos asociados a un ventilador nuevo desaparecen en ese período.
5. Si usas el kit de luces de ventilador de techo, asegúrate de que los tornillos que sujetan el vidrio estén bien apretados. Verifica así mismo que la bombilla esté bien fijada.
6. Asegúrate de que la cubierta esté a corta distancia del techo. No debe tocar el techo.
7. Asegúrate de que tu caja eléctrica esté bien segura y de que se hayan instalado almohadillas aislantes de goma entre el soporte de montaje y la caja de distribución.

ADVERTENCIA

ASEGURA QUE NO HAYA CORRIENTE EN EL PANEL ELÉCTRICO ANTES DE INTENTAR HACER REPARACIONES. CONSULTA LA SECCIÓN “CÓMO HACER CONEXIONES ELÉCTRICAS”.

11. Cuidado del ventilador y solución de problemas

TAMAÑO DEL VENTILADOR	VELOCIDAD	VOLTIOS	CONSUMO DE ENERGÍA DEL VENTILADOR (SIN LAS LUCES) VATIOS	FLUJO DE AIRE CFM	EFICIENCIA DE FLUJO DE AIRE (MÁS ALTO ES MEJOR) CFM/W	PESO NETO	PESO BRUTO	PIES CÚBICOS
1.37 m	Baja	120	5	2351	470	16.31 Lb	18.96 Lb	2.04
	Alta		35.24	4521	140			

Este equipo fue sometido a prueba y se determinó que cumple con los límites establecidos para un dispositivo digital Clase B según la Parte 15 de las Normas FCC. Estos límites fueron establecidos para dar protección razonable contra la interferencia dañina en uso residencial. Este equipo genera, consume y puede irradiar energía de radiofrecuencia; si no se instala y usa de acuerdo con las instrucciones, puede causar interferencia nociva a comunicaciones radiales. Sin embargo, no hay garantía de que no ocurrirá interferencia en cierta instalación particular. Si este equipo causa interferencia perjudicial a la recepción de radio o televisión, que puede determinarse encendiendo y apagando el equipo, se recomienda al usuario tratar de corregir la interferencia con una o más de las siguientes medidas:

- Reorientar o reubicar la antena receptora.
- Incrementar la distancia entre los equipos y el receptor.
- Conectar el equipo a un tomacorriente en circuito distinto del receptor.
- Pedir asistencia al concesionario o a un técnico de radio/TV con experiencia.

PRECAUCIÓN:

Los cambios o modificaciones sin aprobación expresa del responsable de este dispositivo podrían anular el derecho del usuario a operar el equipo. Este dispositivo cumple con la Parte 15 de las Normas FCC. Su operación está sujeta a las dos condiciones siguientes: (1) Este dispositivo no debe causar interferencia dañina y (2) tiene que aceptar cualquier interferencia recibida, incluyendo aquella que pudiera afectar su funcionamiento.