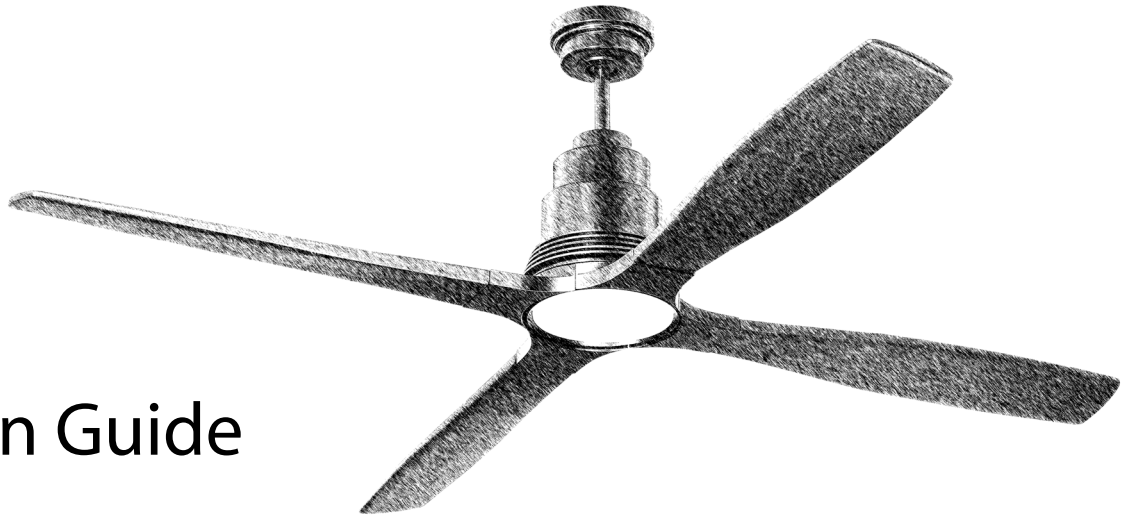


# CRAFTMADE™

READ THESE INSTRUCTIONS AND  
SAVE THEM FOR FUTURE USE



## Ricasso

# Installation Guide

For Model:  
**RIC60**

**WARNING**  
**Motor will not operate**  
**until blades are installed**

### Table of Contents:

Safety Tips. pg. 1

Unpacking Your Fan. pg. 2

Parts Inventory. pg. 2

Installation Preparation. pg. 3

Hanging Bracket Installation. pg. 3

Fan Assembly. pgs. 4 - 5

Wiring. pg. 6

Canopy Assembly. pg. 7

Blade\* Assembly. pg. 7

Light Kit Assembly (Optional). pg. 8

Handheld Remote Control Assembly. pg. 9

Automated Learning Process./

Activating Code. pg. 10

Remote/Wall Control Operation. pg. 11

Testing Your Fan. pg. 11

Troubleshooting. pg. 12

Warranty. pg. 12

Parts Replacement. pg. 12

\*sold separately



**LISTED**

E192641

net weight of fan: 17.64 lb (8.00 kg)

PRINTED IN CHINA

# SAFETY TIPS.

**WARNING:** To reduce the risk of electrical shock, turn off the electricity to the fan at the main fuse box or circuit panel before you begin the fan installation or before servicing the fan or installing accessories.

1. **READ ALL INSTRUCTIONS AND SAFETY INFORMATION CAREFULLY BEFORE INSTALLING YOUR FAN AND SAVE THESE INSTRUCTIONS.**

**CAUTION:** To avoid personal injury, the use of gloves may be necessary while handling fan parts with sharp edges.

2. Make sure all electrical connections comply with Local Codes or Ordinances, the National Electrical Code, and ANSI/NFPA 70-1999. If you are unfamiliar with electrical wiring or if the house/building wires are different colors than those referred to in the instructions, please use a qualified electrician.
3. Make sure you have a location selected for your fan that allows clear space for the blades to rotate, and at least seven (7) feet (2.13 meters) of clearance between the floor and the fan blade tips. The fan should be mounted so that the tips of the blades are at least thirty (30) inches (76 centimeters) from walls or other upright structures.
4. The outlet box and ceiling support joist used must be securely mounted, and capable of supporting at least 35 pounds (16 kilograms). The box must be supported directly by the building structure. Use only CUL (Canada) or UL (USA) listed outlet boxes marked "FOR FAN SUPPORT."

**WARNING:** To reduce the risk of fire, electrical shock, or personal injury, mount to the outlet box marked "Acceptable for Fan Support of 15.9 kg (35 lb) or less" and use the mounting screws provided with the outlet box. Most outlet boxes commonly used for the support of lighting fixtures are not acceptable for fan support and may need to be replaced. Consult a qualified electrician if in doubt.

**WARNING:** To reduce the risk of fire, electrical shock, or personal injury, wire connectors provided with this fan are designed to accept only one 12 gauge house wire and two lead wires from the fan. If your house wire is larger than 12 gauge or there is more than one house wire to connect to the corresponding fan lead wires, consult an electrician for the proper size wire connectors to use.

5. Electrical diagrams are for reference only. Light kits that are not packed with the fan must be CUL (Canada) or UL (USA) listed and marked suitable for use with the model fan you are installing. Switches must be CUL (Canada) or UL (USA) general use switches. Refer to the instructions packaged with the light kits and switches for proper assembly.
6. After installation is complete, check that all connections are absolutely secure.
7. After making electrical connections, spliced conductors should be turned upward and pushed carefully up into the outlet box. The wires should be spread apart with the grounded conductor and the equipment-grounding conductor on opposite sides of the outlet box.

**WARNING:** To reduce the risk of fire or electrical shock, do not use this fan with any solid state speed control device or control fan speed with a full range dimmer switch. [Using a full range dimmer switch to control fan speed will cause a loud humming noise from fan.]

8. Do not operate the reverse switch until fan has come to a complete stop. [**Note:** If using remote control with reverse capability, reverse fan blade direction only when on LOW speed.]
9. Do not insert anything between the fan blades while they are rotating.

**WARNING:** To reduce the risk of personal injury, do not bend the blade arms during assembly or after installation. Do not insert objects into the path of the blades.

**WARNING:** To avoid personal injury or damage to the fan and other items, be cautious when working around or cleaning the fan.

10. Do not use water or detergents when cleaning the fan or fan blades. A dry dust cloth or lightly dampened cloth will be suitable for most cleaning.

**WARNING:** To reduce the risk of personal injury, use **only** parts provided with this fan. **The use of parts OTHER than those provided with this fan will void the warranty.**

**WARNING:** This fan **MUST** be installed with the safety cable provided with the fan. Failure to use the safety cable provided may result in personal injury, damage to the fan or damage to other property.

**CAUTION:** Do NOT tamper with or attempt to repair LED component of light kit. The light source is designed for this specific application and should not be serviced by untrained personnel. If any servicing is required, call our customer service department.

11. Light kit is dimmable to 10% with select dimmers.

NOTE: This equipment has been tested and found to comply with the limits for a Class B digital device, pursuant to Part 15 of the FCC Rules. These limits are designed to provide reasonable protection against harmful interference in a residential installation. This equipment generates, uses and can radiate radio frequency energy and, if not installed and used in accordance with the instructions, may cause harmful interference to radio communications. However, there is no guarantee that interference will not occur in a particular installation. If this equipment does cause harmful interference to radio or television reception, which can be determined by turning the equipment off and on, the user is encouraged to try to correct the interference by one or more of the following measures:

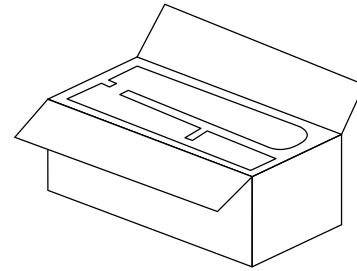
- \* Reorient or relocate the receiving antenna.
- \* Increase the separation between the equipment and receiver.
- \* Connect the equipment into an outlet on a circuit different from that to which the receiver is connected.

Consult the dealer or an experienced radio/TV technician for help.

**NOTE:** The important safety precautions and instructions appearing in the manual are not meant to cover all possible conditions and situations that may occur. It must be understood that common sense and caution are necessary factors in the installation and operation of this fan.

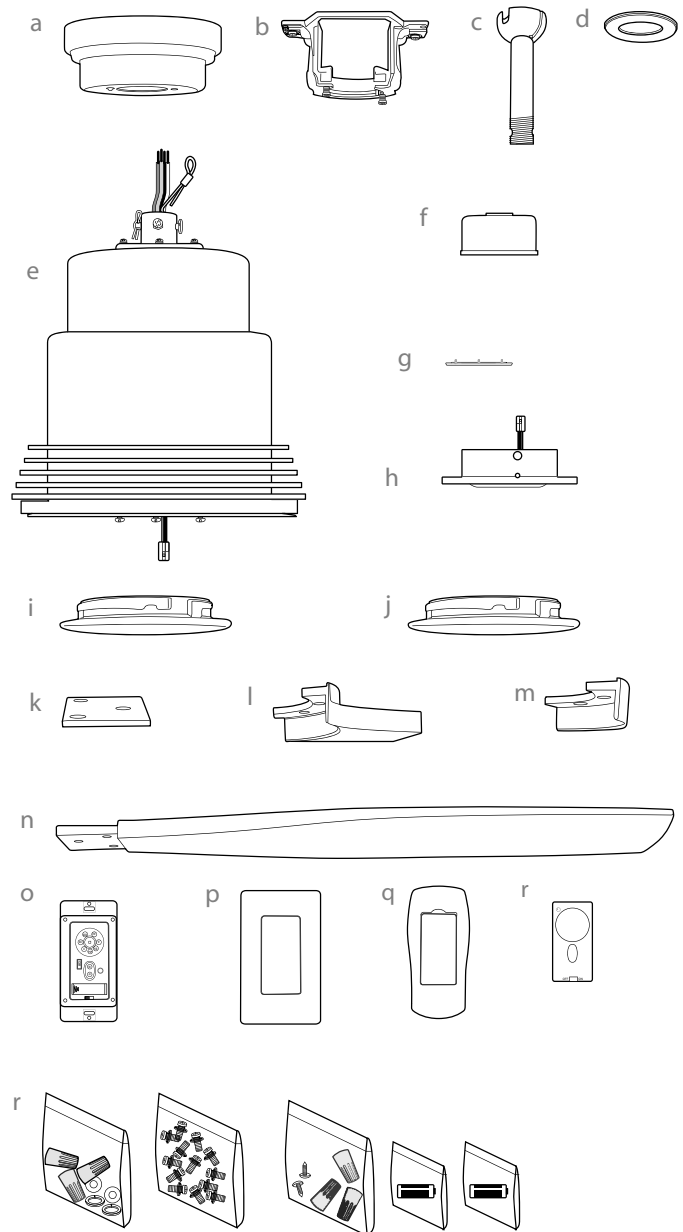
# 1. Unpacking Your Fan.

Carefully open the packaging. Remove items from Styrofoam inserts. Remove motor housing and place on carpet or Styrofoam to avoid damage to finish. Do not discard fan carton or Styrofoam inserts should this fan need to be returned for repairs. Check against parts inventory that all parts have been included.



# 2. Parts Inventory.

- a.** canopy. 1 piece
- b.** hanging bracket. 1 piece
- c.** downrod and hanging ball. 1 piece
- d.** canopy cover. 1 piece
- e.** motor housing. 1 piece
- f.** yoke cover. 1 piece
- g.** fitter plate. 1 piece
- h.** LED light kit . 1 piece
- i.** glass shade. 1 piece
- j.** metal cover. 1 piece
- k.** blade plate. 4 pieces
- l.** blade arm. 4 pieces
- m.** blade arm wall. 2 pieces
- n.** blade\*. 4 pieces
- o.** wall control. 2 pieces
- p.** plate. 1 piece
- q.** remote control cover. 1 piece
- r.** faceplate. 3 pieces
- s.** hardware packs

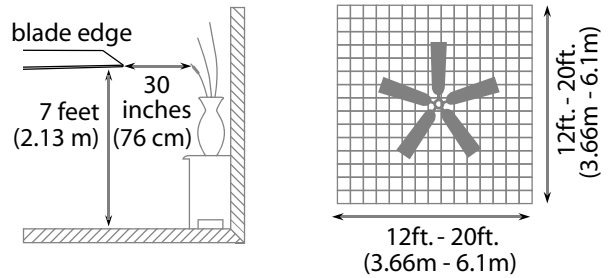


\*Blade drawings in this manual are representative only.

**! IMPORTANT REMINDER:** You must use the parts provided with this fan for proper installation and safety. **!**

### 3. Installation Preparation.

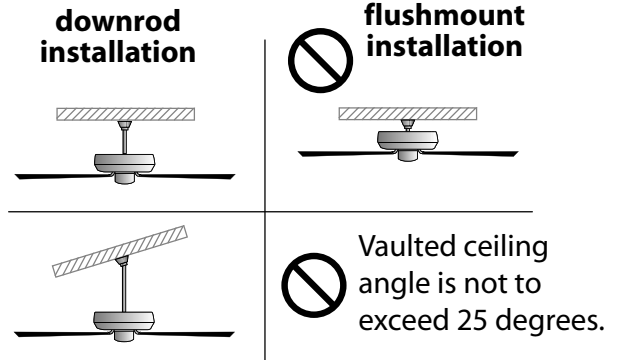
To prevent personal injury and damage, ensure that the hanging location allows the blades a clearance of 7 feet (2.13m) from the floor and 30in. (76cm) from any wall or obstruction. This fan is suitable for room sizes up to 400 square feet (37.2 square meters).



This fan can be mounted with a **downrod** on a regular (no-slope) or vaulted ceiling. The hanging length can be extended by purchasing a longer downrod (0.5in./1.27cm diameter). Other installation, such as **flushmount**, is *not* available for this fan.

**Installation requires these tools:**

Phillips screwdriver, flathead screwdriver, adjustable pliers or wrench, stepladder, wire cutters, and rated electrical tape.



### 4. Hanging Bracket Installation.

Turn off circuit breakers to current fixture from breaker panel and be sure operating light switch is turned to the OFF position.

**WARNING:** Failure to disconnect power supply prior to installation may result in serious injury.

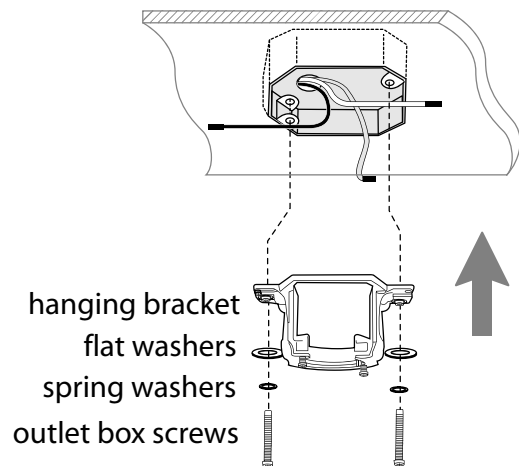
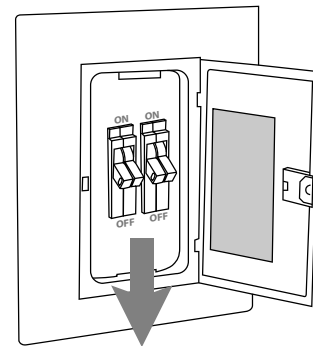
Remove existing fixture.

**WARNING:** When using an existing outlet box, be sure the outlet box is securely attached to the building structure and can support the full weight of the fan. Ensure outlet box is clearly marked "Suitable for Fan Support." If not, it must be replaced with an approved outlet box. Failure to do so can result in serious injury.

**CAUTION:** Be sure outlet box is properly grounded and that a ground wire (**GREEN** or bare) is present.

Install hanging bracket to outlet box using original screws, spring washers and flat washers provided with new or original outlet box.\* If installing on a vaulted ceiling, face opening of hanging bracket towards high point of ceiling. Arrange electrical wiring around the back of the hanging bracket and away from the bracket opening.

**\*Note:** It is very important that you use the proper hardware when installing the hanging bracket as this will support the fan.



## 5. Fan Assembly.

Remove hanging ball from downrod provided by loosening set screw on hanging ball. Lower hanging ball and remove stop pin and then slide hanging ball off of the downrod. [Refer to **diagram 1**.]

Loosen yoke set screws and nuts at top of motor housing. Remove pin and clip from motor housing yoke. [Refer to **diagram 2**.]

**Tip:** To prepare for threading electrical wires through downrod, apply a small piece of electrical tape to the ends of the electrical wires--this will keep the wires together when threading them through the downrod. [Refer to **diagram 2**.]

Determine the length of downrod you wish to use. Thread safety cable and electrical wires through threaded end of downrod and pull extra wire slack from the upper end of the downrod. [Refer to **diagram 2**.]

Thread downrod into the motor housing yoke until holes for pin and clip in downrod align with holes in yoke--*make sure wires do not get twisted*. Re-insert pin and clip that were previously removed. Tighten yoke set screws and nuts securely. [Refer to **diagram 2**.]

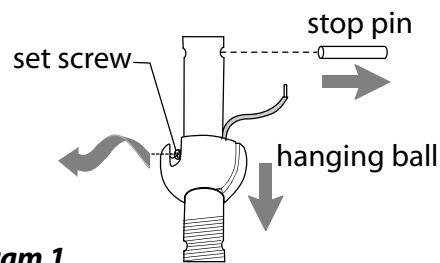
Locate canopy cover in hardware pack. Slide yoke cover, canopy cover and canopy over downrod. [Refer to **diagram 3**.] (**Note:** Canopy cover must be turned with shiny side *toward* the motor housing.)

Thread safety cable and wires through hanging ball and then slide hanging ball over downrod--the top of the downrod should be noted as having a set screw hole; use this hole when setting the set screw. Insert stop pin into top of downrod and raise hanging ball. Be sure stop pin aligns with slots on the inside of the hanging ball. Tighten set screw securely. [Refer to **diagram 4**.]

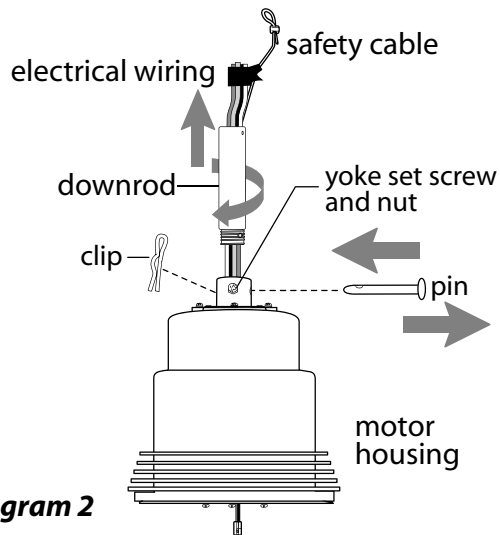
**WARNING:** Failure to tighten set screw (on hanging ball) completely could result in the fan becoming loose and possibly falling.

**["Fan Assembly" continued on next page.]**

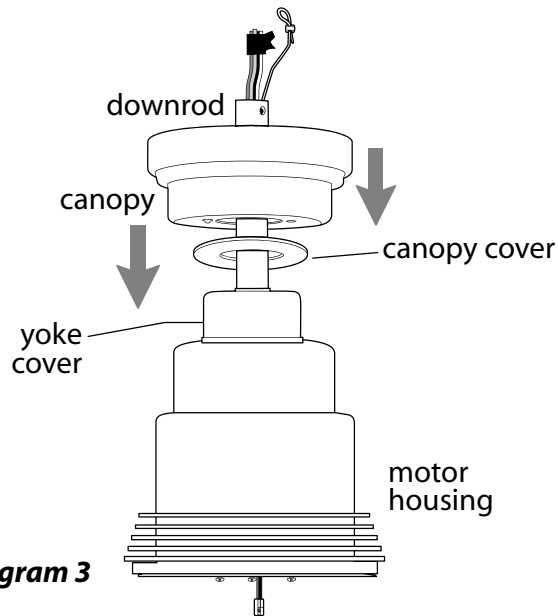
**NOTE:** The important safety precautions and instructions appearing in the manual are not meant to cover all possible conditions and situations that may occur. It must be understood that common sense and caution are necessary factors in the installation and operation of this fan.



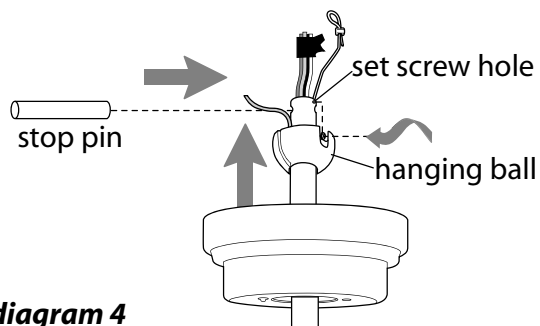
**diagram 1**



**diagram 2**



**diagram 3**



**diagram 4**

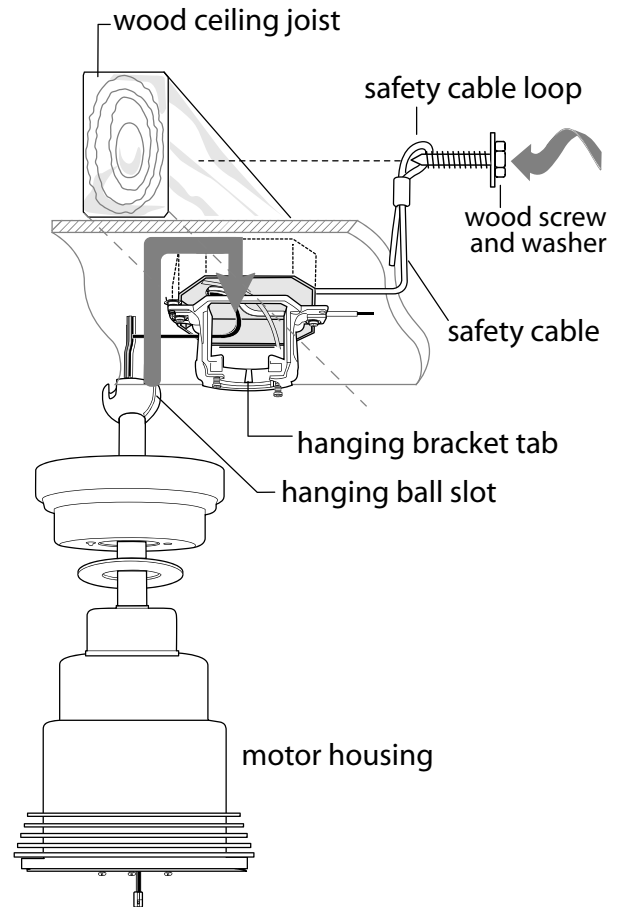
## 5. Fan Assembly. (cont.)

With the hanging bracket secured to the outlet box and able to support the fan, you are now ready to hang your fan. Grab the fan firmly with two hands. Slide down rod through opening in hanging bracket and let hanging ball rest on the hanging bracket. Turn the hanging ball slot until it lines up with the hanging bracket tab.

**WARNING:** Failure to align slot in hanging ball with tab in hanging bracket may result in serious injury or death.

**Tip:** Seek the help of another person to hold the stepladder in place and to lift the fan up to you once you are set on the ladder.

Find a secure attachment point (wood ceiling joist highly recommended) and secure safety cable. It will be necessary to use a heavy duty wood screw, washer and lock washer (not supplied) with the safety cable loop. If necessary, adjust the loop at the end of the safety cable. The loop at the end of the safety cable should just fit over the threads on the wood screw. *Test safety cable by pulling on loose end with pliers. If the safety cable slips, the loop must be adjusted tighter.* Extra cable slack can be left in ceiling area.



## 6. Wiring.

**WARNING:** Turn off circuit breakers to current fixture from breaker panel and be sure switch is turned to the OFF position.

**CAUTION:** Be sure outlet box is properly grounded and that a ground wire (**GREEN** or Bare) is present.

Make sure all electrical connections comply with Local Codes or Ordinances and the National Electrical Code. If you are unfamiliar with electrical wiring or if the house/building wires are different colors than those referred to in the diagram to the right, please use a qualified electrician.

**Note:** Excess lead wire length from the fan can be cut to the desired length and then stripped.

When fan is secured in place on the hanging bracket, electrical wiring can be made as follows:  
 Connect **BLACK** wire from fan to **BLACK** wire from ceiling with wire connector provided.  
 Connect **WHITE** wire from fan to **WHITE** wire from ceiling with wire connector provided.  
 Connect all **GROUND (GREEN)** wires together from fan to **BARE/GREEN** wire from ceiling with wire connector provided.

\* Wrap each wire connector separately with electrical tape as an extra safety measure.

**[PLEASE NOTE:** Wall and/or handheld remote control must be used for fan to operate. *If you do **not** wish to use the wall control, please proceed to Section 7, page 7 to continue with fan installation.]*

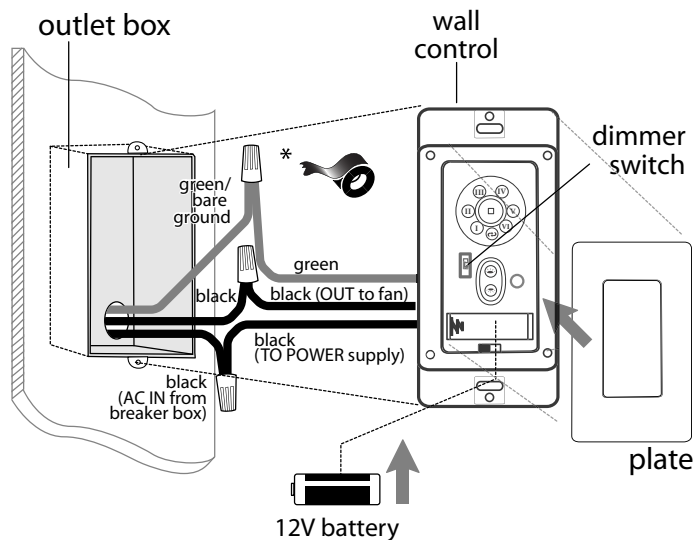
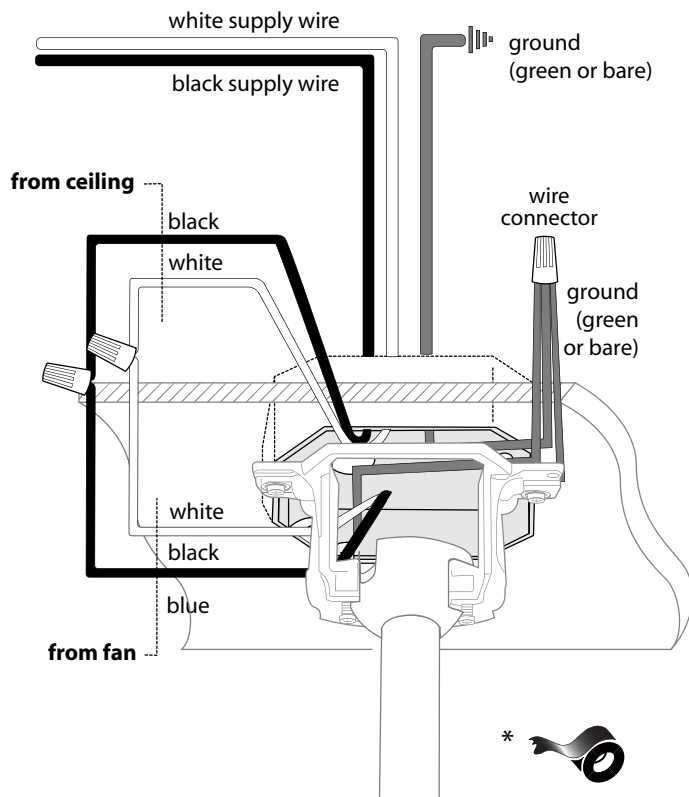
**To install wall control,** remove existing wall switch. Wire one of the wall controls with wire connectors provided as shown in diagram at right.

\*Wrap each wire connector separately with electrical tape as an extra safety measure. Gently push wires and taped wire connectors into outlet box.

Install one 12-volt battery (included) in wall control. **IMPORTANT:** Wall control will not function unless battery is installed.

Since this fan comes with a LED light kit, the dimmer switch (labeled **ON** and **D**) has been pre-set to the the "**ON**" position. If you do not wish to have dimming capability, please move the switch to the "OFF" position (**D**).

Attach wall control to outlet box and secure with screws from original wall switch. Attach plate (included) to wall control using 2 screws provided with the wall control.



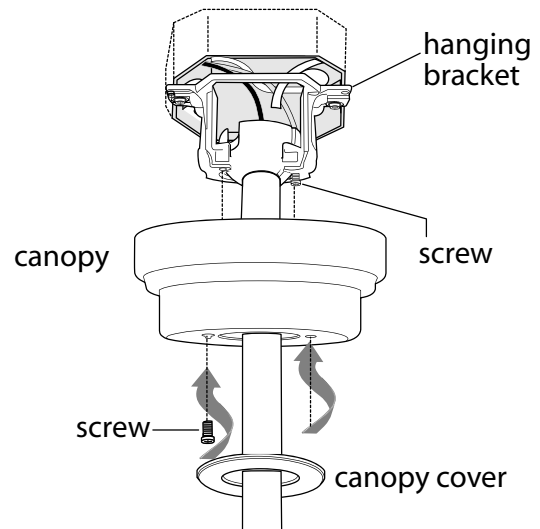
**(wiring for wall control)**

**⚠ WARNING: Choking Hazard** - Small parts. Keep battery away from children.

## 7. Canopy Assembly.

Locate 2 screws on underside of hanging bracket and remove screw closest to the open end of the hanging bracket. Partially loosen the other screw. Lift canopy to hanging bracket. Place rounded part of slotted hole in canopy over loosened screw in hanging bracket and push up. Twist canopy to lock. Re-insert screw that was removed and then tighten both screws securely.

Slide canopy cover up to canopy, aligning rounded part of slotted holes in canopy cover with screwheads in bottom of canopy. Turn canopy cover to the right (clockwise) until it stops.



## 8. Blade Assembly.

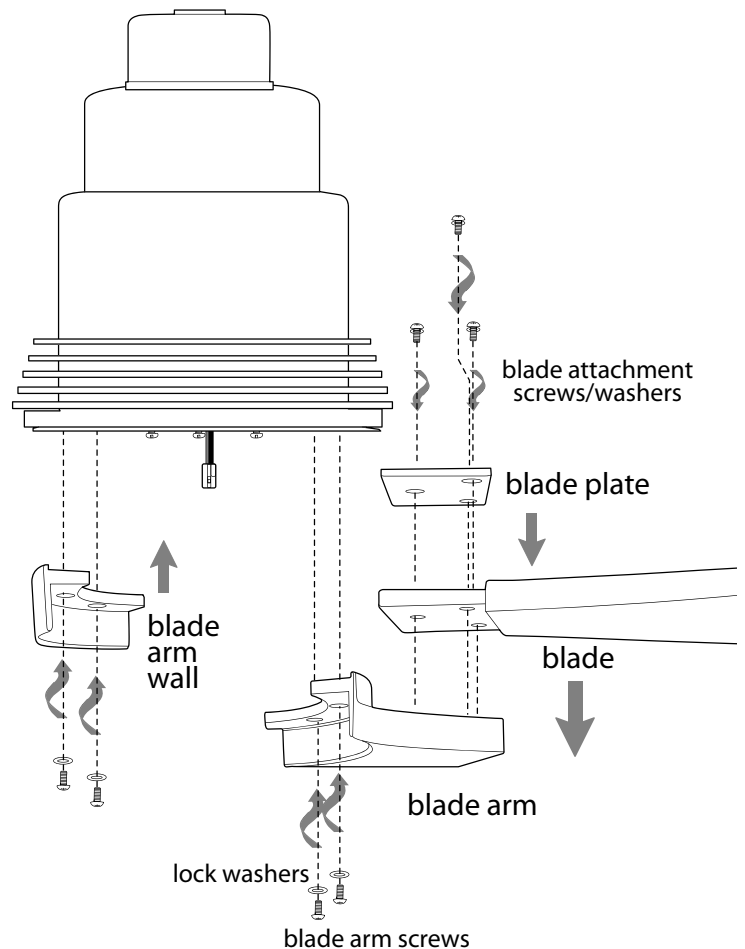
**BLADE OPTIONS:** This fan can be used with TWO or FOUR blades. **If TWO-blade option is chosen**, install blade arm walls opposite each other using blade arm screws and lock washers referred to in third paragraph below.

**WARNING:** To reduce the risk of serious bodily injury, DO NOT use power tools to assemble the blades. If overtightened, blades may crack and break.

Locate blade attachment screws/washers in hardware pack. Hold blade arm up to blade and align holes. Place blade plate on top of blade, aligning posts in blade plate with holes in blade as shown and insert 3 blade attachment screws/washers, with fingers first and then tighten screws securely with a Phillips screwdriver. Repeat for the remaining blades.

Remove blade arm screws and lock washers from underside of motor. Align blade arm holes with motor screw holes and attach blade arm with lock washers and blade arm screws. Before securing screws permanently, repeat procedure with remaining blade arms. Securely tighten all screws.

**Note:** Tighten blade arm screws twice a year.





## 9. Light Kit Assembly (Optional).

Remove 1 screw from motor plate on underside of motor housing and partially loosen the other 2 screws. Align slotted holes in fitter plate with loosened screws in motor plate, allowing female plug from motor housing to come through hole in middle of fitter plate. Twist fitter plate to lock. Re-insert screw that was previously removed and securely tighten all 3 screws with a Phillips screwdriver. [Refer to **diagram 1**.]

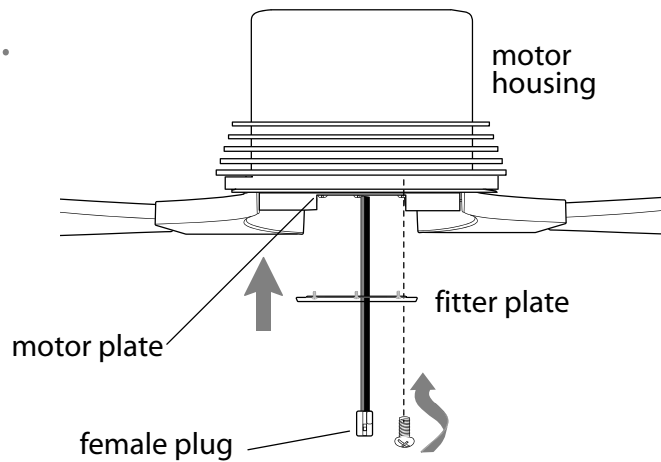
**If you wish to use the light kit**, remove 1 screw from underside of fitter plate and partially loosen the other 2 screws.

Connect female plug from motor housing to male plug from the LED light kit, matching up the colors on the male plug with the colors on the female plug for correct fit. Make sure that plugs connect securely. [**Note:** If you will NOT be using the light kit, do NOT connect the plugs.] Carefully arrange wiring within the back of LED light kit. Align slotted holes in light kit fitter with loosened screws in fitter plate. Twist light kit fitter to lock. Re-insert screw that was previously removed and tighten all 3 screws securely. [Refer to **diagram 2**.]

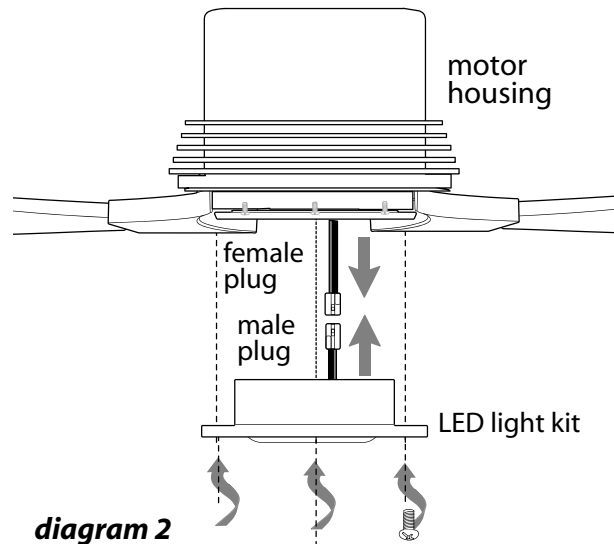
Locate slots on glass shade and align with nodules on inside of LED light kit. Gently push up on glass shade and turn to the RIGHT (clockwise) until it slides completely into place. [Refer to **diagram 3**.]

**If you do NOT wish to use the light**, locate slots on metal cover and align with nodules on inside of LED light kit. Gently push up on metal cover and turn to the RIGHT (clockwise) until it slides completely into place. [Refer to **diagram 4**.]

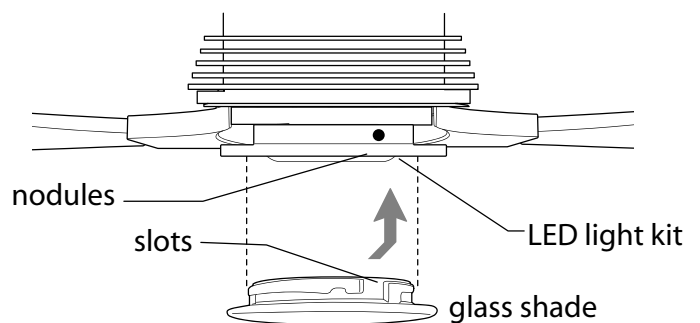
**CAUTION:** Do **not** connect the LED light kit if you do NOT wish to use the light.



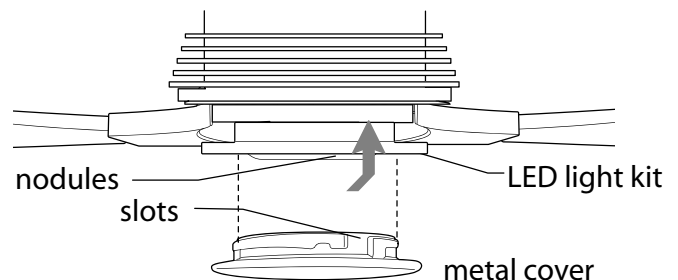
**diagram 1**



**diagram 2**



**diagram 3**



**diagram 4**

## 10. Handheld Remote Control Assembly.

*IN ORDER TO USE THE HANDHELD REMOTE CONTROL, PLEASE CONTINUE WITH SECTION 10 for remote control assembly instructions. If you have already installed the wall control but do **not** wish to use the handheld remote control, please proceed to Section 11.*

Gently pull on remote control cover to separate top and bottom parts. [Refer to **diagram 1**.]

In order to use wall control as a handheld remote control, cut each wire on wall control (that was not previously used)--use wire cutters to cut off each wire as close to the wall control as possible. [Refer to **diagram 2**.]

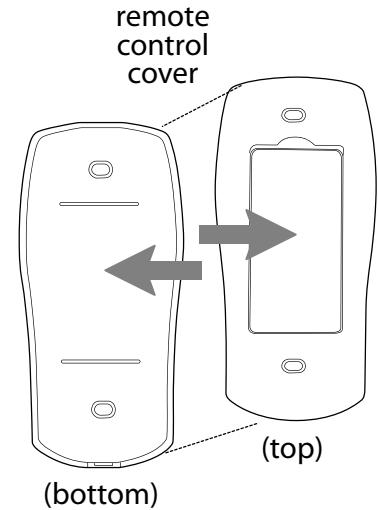
Install one 12-volt battery (included) in wall control. [Refer to **diagram 2**.]

The dimmer switch (labeled **ON** and **D**) has been pre-set to the "ON" position. If you do not wish to have dimming capability, please move the switch to the "OFF" position (**D**).

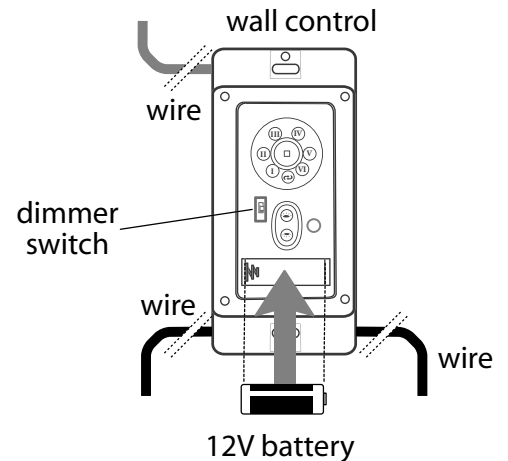
Align holes in wall control with posts located on *inside* of TOP part of remote control cover and press together firmly. Place wall control into BOTTOM part of remote control cover, aligning posts in top of remote control cover with post holes in the bottom. [Refer to **diagram 3**.]

(NOTE: Make sure to align narrower ends of remote control cover before closing.) Squeeze top and bottom of remote control cover together until you hear a click at each end, indicating that the remote control cover has closed completely.

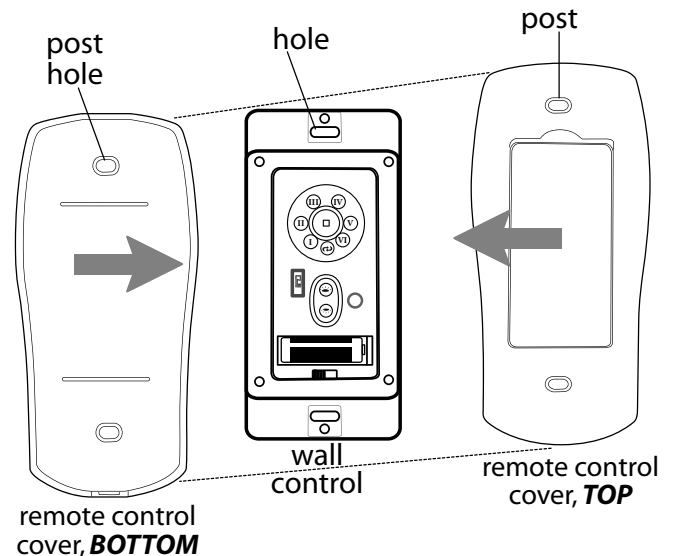
**IMPORTANT:** Store the handheld remote control away from excess heat or humidity. To prevent damage to handheld remote control, remove the battery if remote control will not be used for long periods.



**diagram 1**



**diagram 2**



**diagram 3**

# 11. Automated Learning Process./Activating Code.

**CAUTION:** The wall and/or handheld remote control can be programmed to multiple receivers or fans. If this is not desired, turn wall switch off to any other programmable receiver or fan.

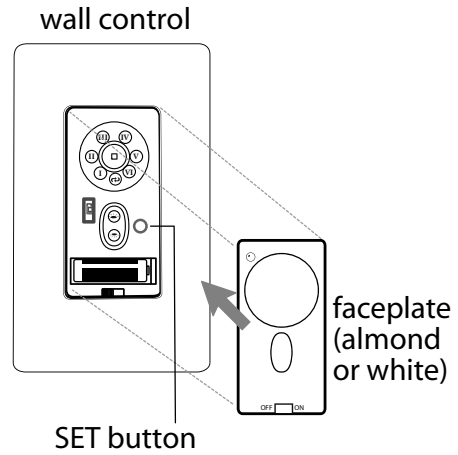
Restore electrical power and then, if using wall control, set slider switch on wall control to the ON position. Within 60 seconds of turning on the wall control, press and hold the fan **SET** button on the wall control for 5 seconds or until light blinks twice.

**Turn power off again for at least 5 seconds** and then turn power back on. Within 60 seconds of restoring the power, press and hold the fan **SET** button on the handheld remote control for 5 seconds or until light blinks twice.

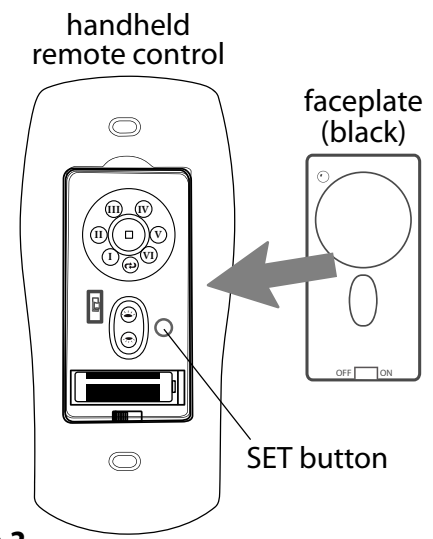
Test the light and fan functions to confirm the learning process is complete -- see Section 13 on the following page.

Select a faceplate (**almond or white**) and press firmly onto front of wall control that was previously installed to the outlet box on the wall. [Refer to **diagram 1**.]

Attach **black faceplate** to front of handheld remote control; press down firmly. [Refer to **diagram 2**.]



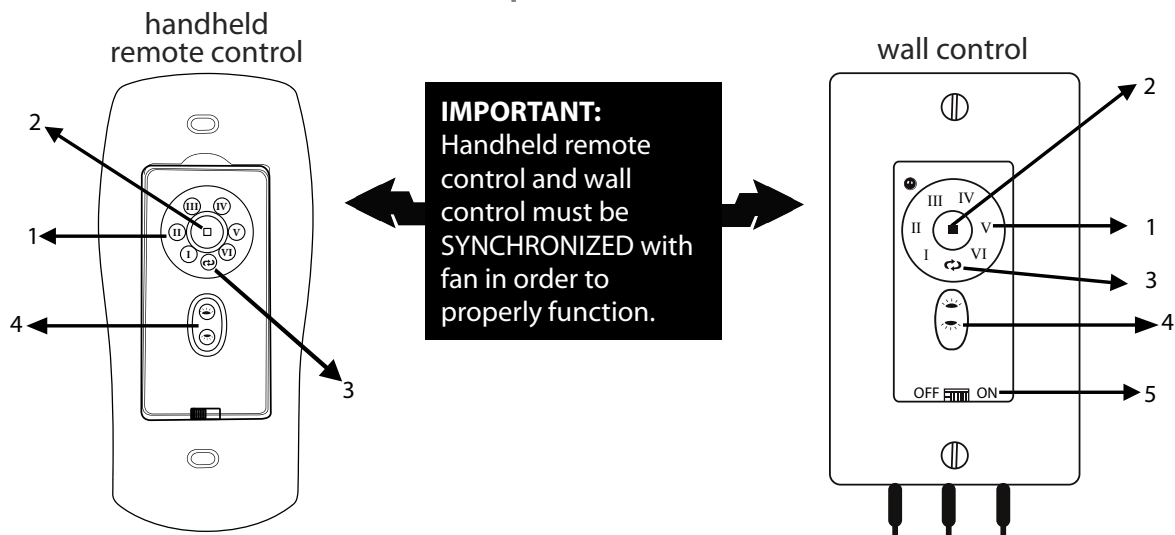
**diagram 1**



**diagram 2**

**⚠ CAUTION:** “DO NOT DISPOSE OF BATTERIES IN FIRE, BATTERIES MAY EXPLODE OR LEAK.” - When disposing of household alkaline batteries, it is best to check with your local and state recycling or household hazardous waste coordinators concerning the specifics of the program in your area. You may also locate a recycling center by calling 1-800-8-BATTERY or 1-877-2-RECYCLE or visit [www.epa.gov/epawaste/index.htm](http://www.epa.gov/epawaste/index.htm) or [www.earth911.org](http://www.earth911.org) for more information.

## 12. Remote/Wall Control Operation.



Fan **SPEED** control buttons--**1**:  
 Fan **OFF** button--**2**:  
**REVERSE** function button--**3**:  
**LIGHTING** button--**4**:  
**ON/OFF** slider switch--**5**:

Use to control the ceiling fan speed 1-6  
 Use to turn the fan off  
 Use to control fan direction  
 Use to control down-light and up-light (if applicable)  
 [Wall control only] Use to turn wall control ON or OFF

**IMPORTANT:** *The Automated Learning Process takes approximately 5 minutes to complete.* Please **leave the fan "ON"** for the duration of the 5-minute programming and **do NOT use the remote control or turn off the power** during this time. The fan will **cycle through ALL SIX (6) speeds in forward and reverse** and will **then stop automatically** after the learning process is complete.

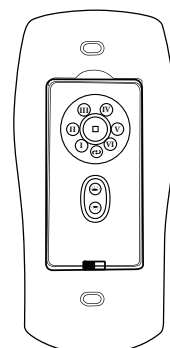
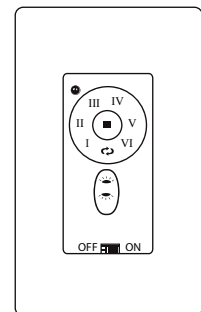
## 13. Testing Your Fan.

It is recommended that you test fan before finalizing installation. Restore power from circuit box and light switch (if applicable). Test wall control (optional installation) by locating ON/OFF slider switch on wall control, then set to the ON position. Test light and dimmer function and then test fan speeds. Next, locate handheld remote control. Test fan speeds with the different fan speed buttons (I - VI) on handheld remote control. Test the light ON/OFF function by pressing the button; test the dimmer function by pressing the button and holding it down for 1 second. If the remote control operates all of the functions of the fan, battery has been installed correctly. If the wall and/or remote controls do (does) not operate all of the fan functions, refer to "Troubleshooting" section to solve any issues before contacting Customer Service.

Fan *must* be on **LOW** before setting the fan in reverse. Use button to recirculate air depending on the season. A ceiling fan will allow you to raise your thermostat setting in summer and lower your thermostat setting in winter without feeling a difference in your comfort.

**NOTE:** If the wall control/handheld remote control interferes with other appliances, activate a new code on the wall control/ handheld remote control by **turning the power off first**. Go back to the instructions for the SET button in Section 11 (page 10).

**IMPORTANT:** Handheld remote control and wall control must be synchronized with fan in order to properly function.



## Troubleshooting.

**WARNING:** Failure to disconnect power supply prior to troubleshooting any wiring issues may result in serious injury.

**Problem:** Fan fails to operate.

**Solutions:**

1. Check wall switch to fan/wall control.
2. Verify that wall control (optional use) is wired properly.
3. Check to be sure fan is wired properly.
4. Learning process between fan, remote control transmitter and wall control may not have been successful and code was not activated. Turn off power and repeat instructions for SET button in Section 11 (page 10).
5. Check that red light on remote control transmitter turns on when a button is pressed indicating that the battery is good.

**Problem:** Light kit (optional) not lighting.

**Solutions:**

1. Check wall switch to fan/wall control.
2. Check that wires in canopy are wired properly.
3. Verify that male and female plugs are connected properly in LED light kit.
4. Learning process between fan, remote control transmitter and wall control may not have been successful and code was not activated. Turn off power and repeat instructions for SET button in Section 11 (page 10).

**Problem:** Fan operates but light fails (if applicable) .

**Solutions:**

1. Check to be sure wires in canopy are wired properly.
2. Verify that male and female plugs are connected properly in LED light kit.

**Problem:** Fan and light fail to operate with wall control and/or handheld remote control.

**Solutions:**

1. Check battery power in handheld remote control.
2. Learning process between fan, remote control transmitter and wall control may not have been successful and code was not activated. Turn off power and repeat instructions for SET button in Section 11 (page 10).
3. If using optional wall control, check that battery in wall control is still good.

**Problem:** Fan wobbles.

**Solutions:**

1. Check to be sure set screw(s) on motor housing yoke is (are) tightened securely.
2. Check to be sure set screw on hanging ball is tightened securely.

## Warranty.

CRAFTMADE™ LIFETIME LIMITED WARRANTY:

CRAFTMADE warrants this fan to the original household purchaser for indoor use under the following provisions:

**1-YEAR WARRANTY:** CRAFTMADE will replace or repair any fan which has faulty performance due to a defect in material or workmanship. Contact Craftmade Customer Service at **1-800-486-4892** to arrange for return of fan. Return fan, shipping prepaid, to Craftmade. We will repair or ship you a replacement fan, and we will pay the return shipping cost.

**5-YEAR WARRANTY:** CRAFTMADE will repair or replace, at no charge to the original purchaser, any fan motor that fails to operate satisfactorily when failure results from normal use.

**RETURN FAN MOTOR ONLY,** shipping prepaid, to Craftmade Industries. We will repair or ship purchaser a replacement motor and Craftmade will pay the return shipping cost.

**6-YEAR to LIFETIME LIMITED WARRANTY:** CRAFTMADE will repair the fan, at no charge for labor only to the original purchaser, if the fan motor fails to operate satisfactorily when failure results from normal use. Parts used in the repair will be billed to the purchaser at prevailing prices at time of repair.

The purchaser shall be responsible for all costs incurred in the removal, reinstallation and shipping of the product for repairs.

This warranty does not apply when damage from mechanical, physical, electrical or water abuse results in causing the malfunction. Deterioration of finishes or other parts due to time or exposure to salt air is specifically exempted under this warranty.

Neither Craftmade nor the manufacturer will assume any liability resulting from improper installation or use of this product. In no case shall the company be liable for any consequential damages for breach of this, or any other warranty expressed or implied whatsoever. This limitation as to consequential damages shall not apply in states where prohibited.

## Parts Replacement.

For parts and information, please refer to "Parts Inventory" on page 2.

Craftmade Customer Support:

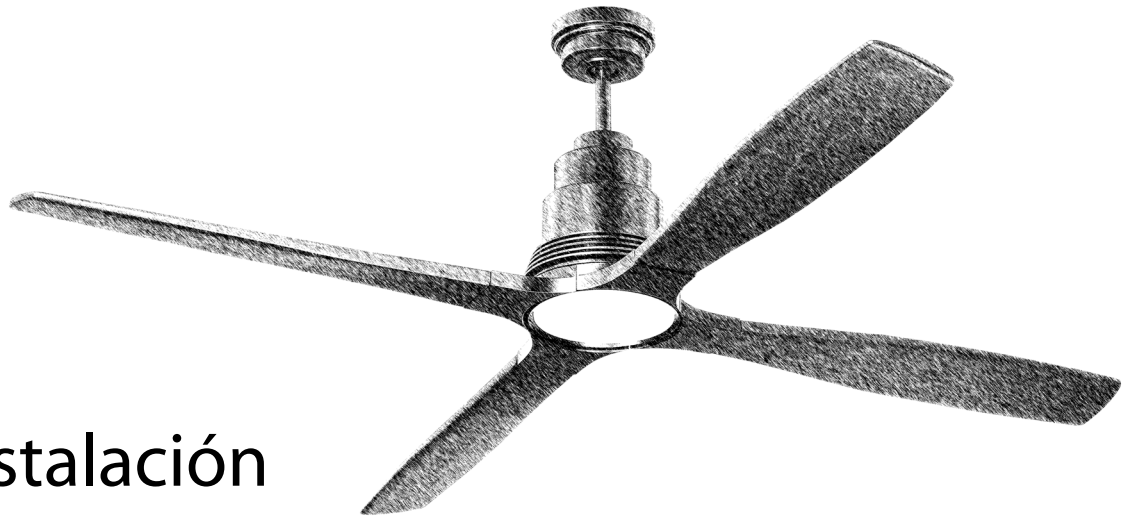
**1-800-486-4892**

[www.craftmade.com](http://www.craftmade.com)

# CRAFTMADE™

# CRAFTMADE™

LEER ESTAS INSTRUCCIONES Y  
GUARDARLAS PARA UTILIZACIÓN FUTURA



## Ricasso

# Guía de instalación

Para modelo:  
**RIC60**

**ADVERTENCIA**  
**El motor no funcionará**  
**hasta que las aspas estén**  
**instaladas**

### Índice de materias:

- Sugerencias de seguridad. Pág. 1
- Desempaquetado del ventilador. Pág. 2
- Inventario de piezas. Pág. 2
- Preparación para la instalación. Pág. 3
- Instalación del soporte de montaje. Pág. 3
- Ensamblaje del ventilador. Págs. 4 - 5
- Instalación eléctrica. Pág. 6
- Colocación de la cubierta decorativa. Pág. 7
- Colocación de las aspas\*. Pág. 7
- Instalación del juego de luz LED (opcional). Pág. 8
- Ensamblaje del control remoto de mano. Pág. 9
- Proceso de aprendizaje automático./  
Activar el código. Pág. 10
- Funcionamiento del control remoto/  
de pared. Pág. 11
- Verificación del funcionamiento del  
ventilador. Pág. 11
- Localización de fallas. Pág. 12
- Garantía. Pág. 12
- Piezas de repuesto. Pág. 12

\*a la venta por separado



peso neto del ventilador: 8 kg (17,64 lb)

IMPRESO EN CHINA

# SUGERENCIAS DE SEGURIDAD.

**ADVERTENCIA:** para evitar la posibilidad de una descarga eléctrica, desconectar la corriente en la caja de fusibles principal o el interruptor protector antes de iniciar la instalación del ventilador o antes de repararlo o instalar accesorios.

1. **LEER TODAS LAS INSTRUCCIONES E INFORMACIÓN DE SEGURIDAD CUIDADOSAMENTE ANTES DE INSTALAR SU VENTILADOR Y GUARDAR ESTAS INSTRUCCIONES.**

**PRECAUCIÓN:** para reducir el riesgo de daño corporal, es posible que sea necesario usar guantes al manejar las piezas del ventilador que tengan bordes afilados.

2. Asegurarse de que todas las conexiones eléctricas cumplan con los Códigos o las Ordenanzas Locales, el Código Nacional Eléctrico y ANSI/NFPA 70-1999. Si usted no está familiarizado con el alambrado eléctrico o los cables de la casa/el edificio son de colores diferentes a los cuales se refieren en las instrucciones, favor de buscar un electricista calificado.
3. Asegurarse de que haya localizado una ubicación para su ventilador que permite el espacio necesario para la rotación de las aspas, y por lo menos 2,13 metros (7 pies) de espacio libre entre el piso y las puntas de las aspas. Debe instalar el ventilador para que las puntas de las aspas queden una distancia de por lo menos 76 centímetros (30 pulgadas) de las paredes y otras estructuras verticales.
4. La caja de salida eléctrica debe estar bien sujeta a la viga de soporte del techo y deben ser capaces de sostener por lo menos 16 kilogramos (35 libras). La caja debe tener apoyo directo de la estructura del edificio. Sólo usar cajas de salida registradas con CUL (Canadá) o UL (EEUU) que indican que "sirven para ventilador" ("FOR FAN SUPPORT" en inglés).

**ADVERTENCIA:** para reducir el riesgo de incendio, descarga eléctrica o daño corporal, instalar en la caja de salida marcada "Aceptable para sostener ventilador de 15,9 kg (35 lb) o menos" ["Acceptable for Fan Support of 15.9 kg (35 lbs) or less"] y utilizar los tornillos proporcionados con la caja de salida. La mayoría de las cajas de salida que se usan normalmente para sostener aparatos de alumbrado no siempre son apropiadas para sostener ventiladores y es posible que las tenga que reemplazar. En caso de duda, consultar con un electricista calificado.

**ADVERTENCIA:** para reducir el riesgo de incendio, descarga eléctrica o daño corporal, los conectores para cable provistos con este ventilador son diseñados para aceptar sólo un cable de calibre 12 de la casa y dos cables principales del ventilador. Si el calibre del cable de la casa es superior al 12 o hay más de un cable de la casa para conectar a los cables principales del ventilador al cual corresponda cada uno, consultar con un electricista para informarse sobre el tamaño correcto de conectores para cable que se debe usar.

5. Los diagramas eléctricos son únicamente para referencia.
6. Después de haber terminado la instalación, asegurarse de que todas las conexiones estén totalmente seguras.
7. Después de haber terminado todas las conexiones eléctricas, los conductores empalmados deben ser volteados para arriba y colocados cuidadosamente dentro de la caja de salida. Los alambres se deben de separar con el conductor a tierra a un lado y el conductor a tierra del equipo al lado opuesto.

**ADVERTENCIA:** para reducir el riesgo de incendio o un choque eléctrico, no usar el ventilador con ningún control de velocidad de estado sólido ni controlar la velocidad del ventilador con un interruptor con reductor de luz de gama completa. [El usar un interruptor con reductor de luz de gama completa para controlar la velocidad del ventilador causará un zumbido recio del ventilador.]

8. No utilizar el interruptor de reversa hasta que el ventilador se haya parado completamente. [**Nota:** si se usa un control remoto con capacidad de reversa, cambiar la dirección de las aspas sólo cuando el ventilador esté en velocidad BAJA.]
9. No introducir ningún objeto entre las aspas mientras estén rotando.

**ADVERTENCIA:** para reducir el riesgo de daño corporal, no doblar los brazos de las aspas durante el ensamblaje ni durante la instalación. No introducir objetos entre las aspas mientras estén rotando.

**ADVERTENCIA:** para reducir el riesgo de daño corporal o algún daño al ventilador, tener cuidado al estar trabajando alrededor del ventilador o limpiándolo.

10. No utilizar agua ni detergentes para limpiar el ventilador ni las aspas. Usar un trapo seco o ligeramente húmedo para su limpieza general.

**ADVERTENCIA:** para reducir el riesgo de daño corporal, usar **sólo** las piezas provistas con este ventilador. **Al usar piezas DISTINTAS a las provistas con este ventilador se invalidará la garantía.**

**ADVERTENCIA:** este ventilador DEBE instalarse con el cable de seguridad provisto. Si no se utiliza el cable de seguridad provisto, se pueden producir lesiones personales, daños al ventilador o a otras propiedades.

**PRECAUCIÓN:** NO manipular ni intentar reparar el componente LED de la lámpara. La fuente de luz está diseñada para esta aplicación específica y el mantenimiento no debe estar a cargo de personal sin capacitación. Si necesita algún tipo de mantenimiento, llamar a nuestro departamento de Servicio al cliente.

11. El juego de luz LED se puede regular al 10% con reguladores seleccionados.

NOTA: se han hecho pruebas en este equipo y se ha comprobado que cumple con los límites para un aparato digital de clase B, de acuerdo con la Parte 15 de las Reglas de la FCC. Se concibieron estos límites para proveer protección razonable contra la interferencia adversa en una instalación residencial. Este equipo produce, usa y puede radiar energía de radiofrecuencia y, si no se instala y no se usa según las instrucciones, puede causar interferencia adversa en la radiocomunicación. Sin embargo, no hay ninguna garantía de que no habrá interferencia en una instalación en particular. Si este equipo sí causa interferencia adversa en la recepción de radio o televisión, que se puede determinar apagando y prendiendo el equipo, se le urge al usuario a intentar rectificar la interferencia tomando una o más de las medidas que siguen:

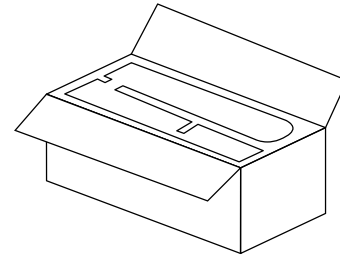
- \* Orientar la antena de nuevo o localizarla en otro sitio.
- \* Aumentar la separación entre el equipo y el receptor.
- \* Conectar el equipo a un tomacorriente en un circuito distinto al cual está conectado el receptor.

Solicitar ayuda del distribuidor o un técnico de radio/televisión.

**NOTA:** no se debe concluir que las precauciones de seguridad importantes e instrucciones en este manual van a abarcar todas las condiciones y situaciones posibles que puedan ocurrir. Se debe entender que el sentido común y la precaución son factores necesarios en la instalación y la operación de este ventilador.

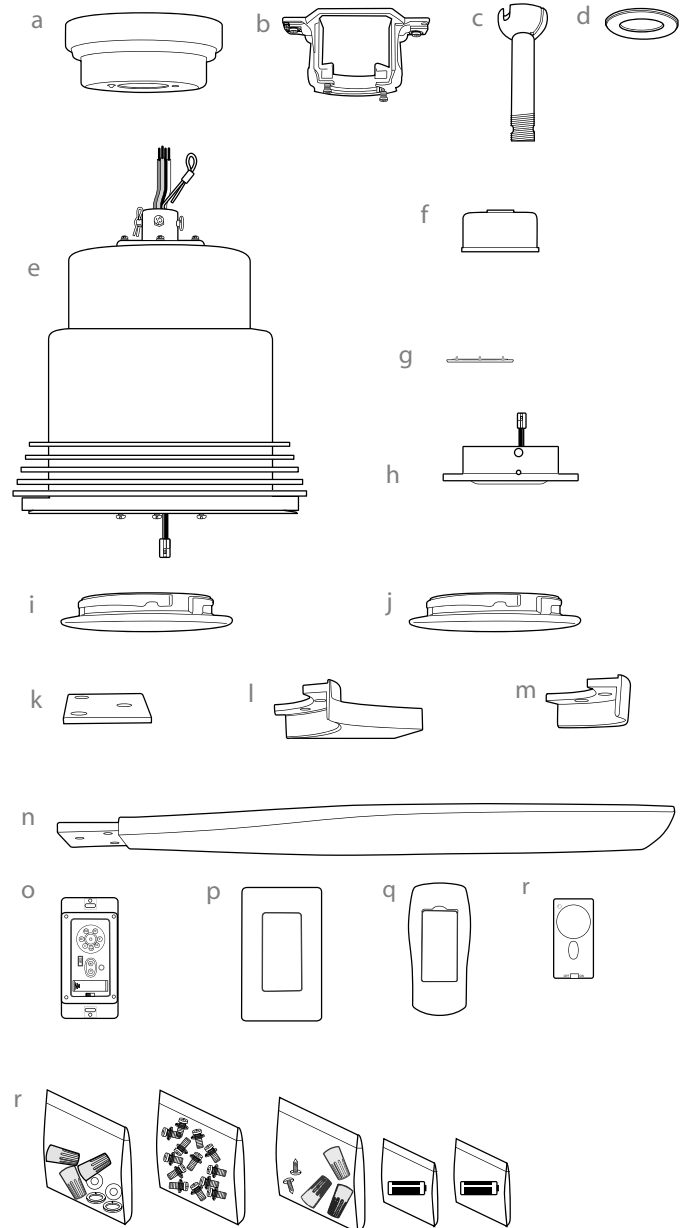
# 1. Desempaquetado del ventilador.

Abrir el empaque cuidadosamente. Sacar los artículos del embalaje. Sacar el motor y ponerlo en una alfombra o en el embalaje para evitar rayar el acabado. Guardar la caja de cartón o el empaquetamiento original en caso de que tenga que mandar el ventilador para alguna reparación. Comprobar las piezas del ventilador con el inventario de piezas y verificar que se incluyeron todas.



# 2. Inventario de piezas.

- a.** cubierta decorativa. 1 unidad
- b.** soporte de montaje. 1 unidad
- c.** tubo y bola que sirve para colgar. 1 unidad
- d.** tapa de la cubierta decorativa. 1 unidad
- e.** bastidor del motor. 1 unidad
- f.** cubierta del cuello. 1 unidad
- g.** placa de conexión. 1 unidad
- h.** juego de luz LED. 1 unidad
- i.** pantalla de vidrio. 1 unidad
- j.** cubierta de metal. 1 unidad
- k.** placa del aspa. 4 unidades
- l.** brazo para el aspa. 4 unidades
- m.** pared del brazo para el aspa. 2 unidades
- n.** aspa\*. 4 unidades
- o.** control de pared. 2 unidades
- p.** placa. 1 unidad
- q.** cubierta del control remoto. 1 unidad
- r.** tapa. 3 unidades
- s.** paquetes de artículos de ferretería



\*Los dibujos del aspa en este manual son solamente representativos.

## ⚠ RECORDATORIO IMPORTANTE:

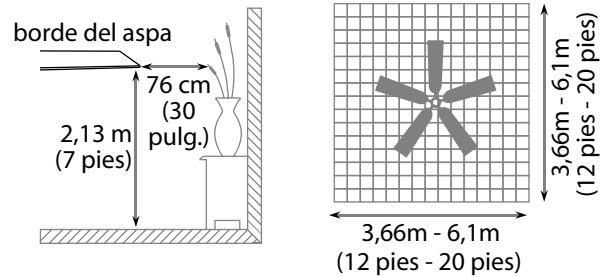
Se tienen que utilizar las piezas provistas con este ventilador para una instalación adecuada y su seguridad.





### 3. Preparación para la instalación.

Para prevenir daño corporal y otros daños, estar seguro de que el lugar en donde va a colgar el ventilador le permite un espacio libre de 2,13 m (7 pies) entre las puntas de las aspas y el piso y 76 cm (30 pulg.) entre las aspas y cualquier pared u otra obstrucción. Este ventilador es adecuado para habitaciones hasta 37,2 metros cuadrados (400 pies cuadrados).

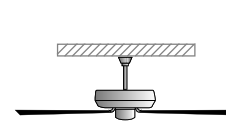


Se puede colgar este ventilador **con tubo** en un techo regular (sin inclinación) o abovedado. La longitud colgante se puede extender comprando un tubo más largo (con un diámetro de 1,27cm/0,5 pulg.). **No** hay ningún otro tipo de instalación, como **al ras con el techo**, disponible para este ventilador.

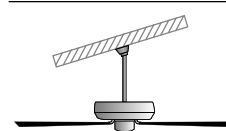
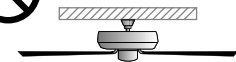
#### Se necesitan las herramientas siguientes para la instalación:

Destornillador de estrella Phillips, destornillador de paleta (plano), alicates ajustables o llave de tuercas, escalera de tijera, cortaalambres y cinta aisladora.

#### instalación con tubo



#### instalación al ras con el techo



El ángulo de inclinación de un techo abovedado no debe exceder los 25 grados.

### 4. Instalación del soporte de montaje.

Apagar los cortacircuitos en el panel de electricidad que suplen corriente a la caja de salida y asegurarse de que el interruptor de luz esté APAGADO.

**ADVERTENCIA:** el no desconectar el suministro de fuerza antes de la instalación puede tener por resultado lesiones graves.

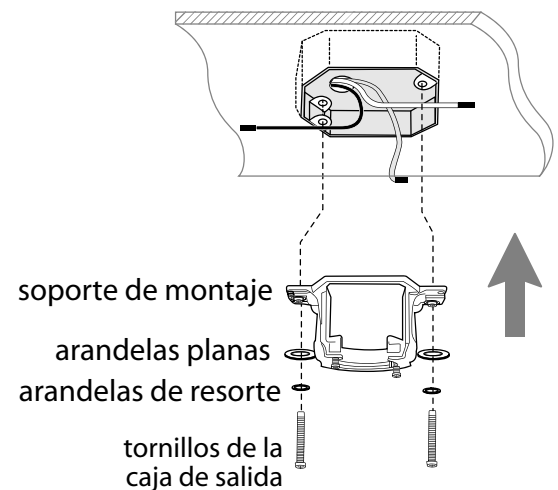
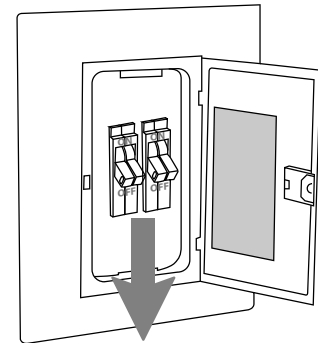
Quitar el aparato existente.

**ADVERTENCIA:** si utiliza una caja de salida existente, asegurarse de que la caja de salida esté firmemente conectada a la estructura del edificio y que sea capaz de sostener el peso total del ventilador. Asegurarse de que la caja indique claramente que "Sirve para ventilador" (FOR FAN SUPPORT); si no, se debe reemplazar con una caja de salida aprobada. El no hacer el cambio si es necesario puede resultar en lesiones graves.

**PRECAUCIÓN:** asegurarse de que la caja de salida esté conectada a tierra correctamente y que haya un conductor a tierra (cable **VERDE** o pelado).

Instalar el soporte de montaje utilizando los tornillos originales, las arandelas de resorte y las arandelas planas de su nueva o existente caja de salida.\* Si hace la instalación en un techo abovedado, colocar el soporte de montaje con la abertura dirigida hacia la parte alta del techo. Arreglar el alambrado eléctrico (los cables) en la parte de atrás del soporte y lejos de la abertura del soporte.

**\*Nota:** es muy importante usar los artículos de ferretería correctos al instalar el soporte de montaje puesto que sirve para sostener el ventilador.



## 5. Ensamblaje del ventilador.

Quitar la bola que sirve para colgar del tubo provisto aflojando el tornillo de fijación de la bola que sirve para colgar. Bajar la bola que sirve para colgar y sacar el perno de tope y luego quitar la bola que sirve para colgar deslizándola. [Referirse al **diagrama 1**].

Aflojar los tornillos de fijación del cuello y las tuercas en la parte superior del bastidor del motor. Quitar el perno y la clavija del cuello del bastidor del motor. [Referirse al **diagrama 2**].

**Sugerencia:** para preparar los cables para pasarlos por el tubo, poner un pedacito de cinta aisladora en la punta de los cables—esto mantendrá los cables juntos al pasarlos por el tubo. [Referirse al **diagrama 2**].

Determinar el largo del tubo que desea usar. Pasar los cables del ventilador y el cable de seguridad a través del extremo del tubo que tenga rosca y con cuidado jalar el cableado en exceso por la parte de arriba del tubo. [Referirse al **diagrama 2**].

Enroscar el tubo en el cuello del bastidor del motor hasta alinearse los agujeros para el perno y la clavija en el tubo con los del cuello—asegurarse de que no se tuerzan los cables. Volver a introducir el perno y la clavija que se quitaron anteriormente. Apretar los tornillos de fijación del cuello y la tuerca completamente. [Referirse al **diagrama 2**].

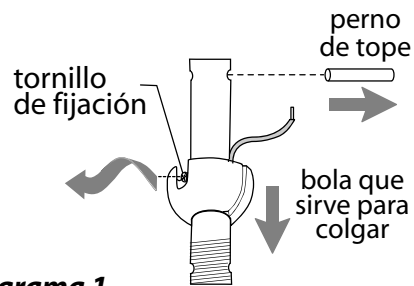
Localizar la tapa de la cubierta decorativa en uno de los paquetes de artículos de ferretería. Deslizar la cubierta del cuello, la tapa de la cubierta decorativa y la cubierta decorativa por el tubo. [Referirse al **diagrama 3**]. (**Nota:** se debe voltear la tapa de la cubierta decorativa para que el lado brillante dé al bastidor del motor).

Pasar los cables y el cable de seguridad por la bola que sirve para colgar y luego deslizar la bola que sirve para colgar sobre el tubo—la parte de arriba del tubo debe tener el agujero para el tornillo de fijación en ese extremo; usar ese agujero al colocar el tornillo de fijación. Introducir el perno de tope en la parte de arriba del tubo y subir la bola que sirve para colgar. Asegurarse de que el perno de tope se ponga en línea con las ranuras dentro de la bola que sirve para colgar. Apretar bien el tornillo de fijación. [Referirse al **diagrama 4**].

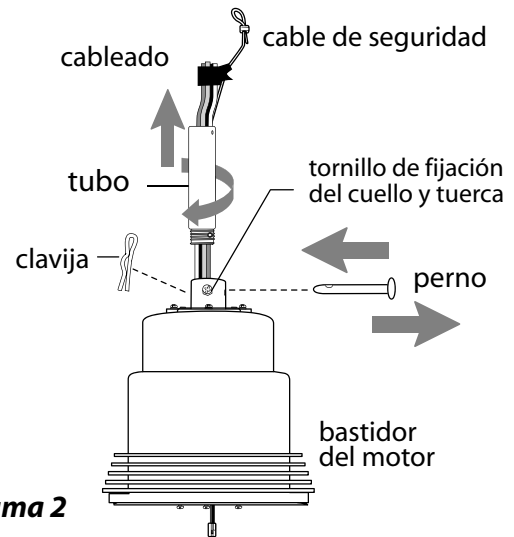
**ADVERTENCIA:** si no se aprieta bien el tornillo de fijación (en la bola que sirve para colgar) es posible que se afloje el ventilador y que se caiga.

[El "Ensamblaje del ventilador" continúa en la página siguiente].

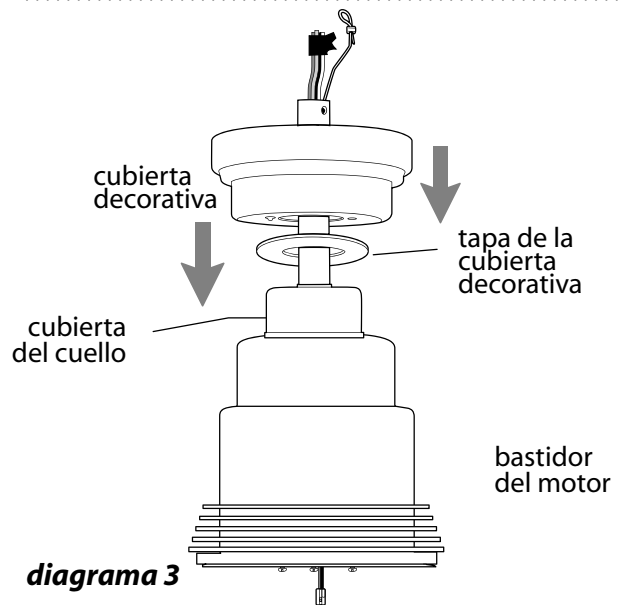
**NOTA:** no se debe concluir que las precauciones de seguridad importantes e instrucciones en este manual van a abarcar todas las condiciones y situaciones posibles que puedan ocurrir. Se debe entender que el sentido común y la precaución son factores necesarios en la instalación y la operación de este ventilador.



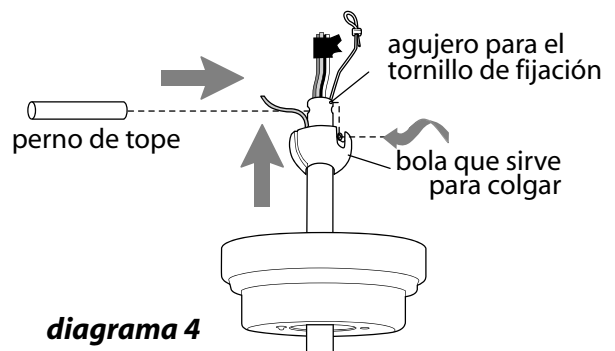
**diagrama 1**



**diagrama 2**



**diagrama 3**



**diagrama 4**

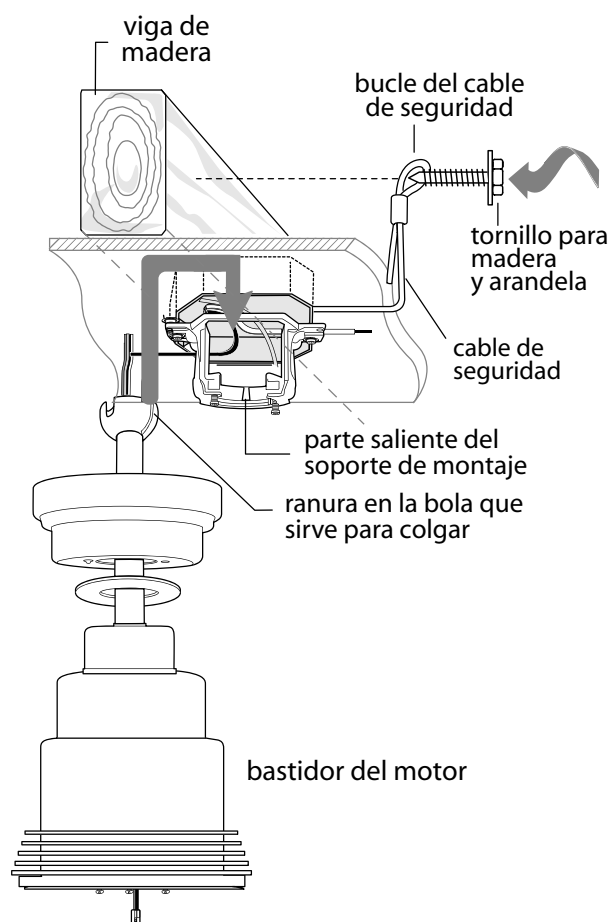
## 5. Ensamblaje del ventilador. (cont.)

Ya que esté sujeto el soporte de montaje a la caja de salida y capaz de apoyar el ventilador, usted está listo para colgar el ventilador. Agarrar el ventilador firmemente con las dos manos. Deslizar el tubo por la abertura del soporte de montaje y dejar que se detenga la bola en el soporte de montaje. Girar la bola que sirve para colgar hasta que la ranura de la bola se alinee con la parte saliente del soporte de montaje.

**ADVERTENCIA:** el no alinear la ranura en la bola que sirve para colgar con la parte saliente del soporte de montaje puede causar lesiones graves o la muerte.

**Sugerencia:** solicitar ayuda de otra persona para mantener sujeta la escalera y para que le suba el ventilador cuando usted ya esté listo en la escalera para colgarlo.

Encontrar un punto de acoplamiento seguro (se recomienda la viga de madera en el techo) y asegurar el cable de seguridad. Utilizar tornillo para madera para trabajos pesados, arandela y arandela de seguridad (no provistos) en el bucle del cable de seguridad. Si es necesario, ajuste el bucle en el extremo del cable de seguridad. El bucle en el extremo del cable de seguridad debe ser de tal tamaño que pase justo sobre la punta de la parte roscada del tornillo para madera. Poner el cable a prueba, jalando con un alicate la parte suelta en la punta del cable. Si el cable se desliza o se reduce el bucle del cable por donde pasa el tornillo, hay que ajustar el bucle de nuevo. Se puede poner el cable en exceso en el área del techo.



## 6. Instalación eléctrica.

**ADVERTENCIA:** Apagar los cortacircuitos en el panel de electricidad que suplen corriente a la caja de salida y asegurarse de que el interruptor de luz esté APAGADO.

**PRECAUCIÓN:** asegurarse de que la caja de salida esté conectada a tierra como es debido o que exista un conductor a tierra (**VERDE** o pelado).

Asegurarse de que toda conexión eléctrica cumpla con los Códigos o las Ordenanzas Locales y el Código Nacional Eléctrico. Si usted no está familiarizado con la instalación eléctrica o los cables de la casa/el edificio son de colores diferentes a los cuales se refieren a continuación, favor de buscar un electricista calificado.

**Nota:** si la longitud del alambrado que sale del ventilador es demasiado, se puede cortarlo al largo deseado y luego pelarlo.

Una vez que el ventilador esté bien sujeto en el soporte de montaje, se puede hacer la instalación eléctrica como sigue:

Conectar el cable **NEGRO** del ventilador al cable **NEGRO** del techo con un conector para cable provisto.  
 Conectar el cable **BLANCO** del ventilador al cable **BLANCO** del techo con un conector para cable provisto.  
 Conectar todos los conductores a **TIERRA (VERDES)** del ventilador a los **PELADOS/VERDES** del techo con un conector para cable provisto.

\* Como una medida de seguridad adicional, envolver cada conector para cable por separado con cinta aisladora.

[**FAVOR DE DARSE CUENTA:** utilizar el control de pared y/o el control remoto de mano para que funcione el ventilador. Si **no** desea utilizar el control de pared, favor de pasar a la sección 7, página 7 para seguir con la instalación del ventilador].

**Para instalar el control de pared,** quitar el interruptor de pared existente. Alambrar uno de los controles de pared con los conectores para cable provistos *así como se muestra en el diagrama al lado.*

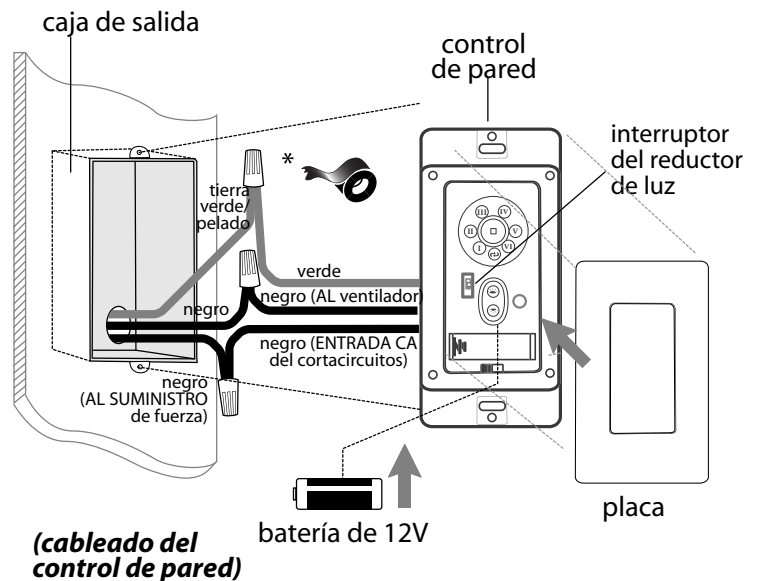
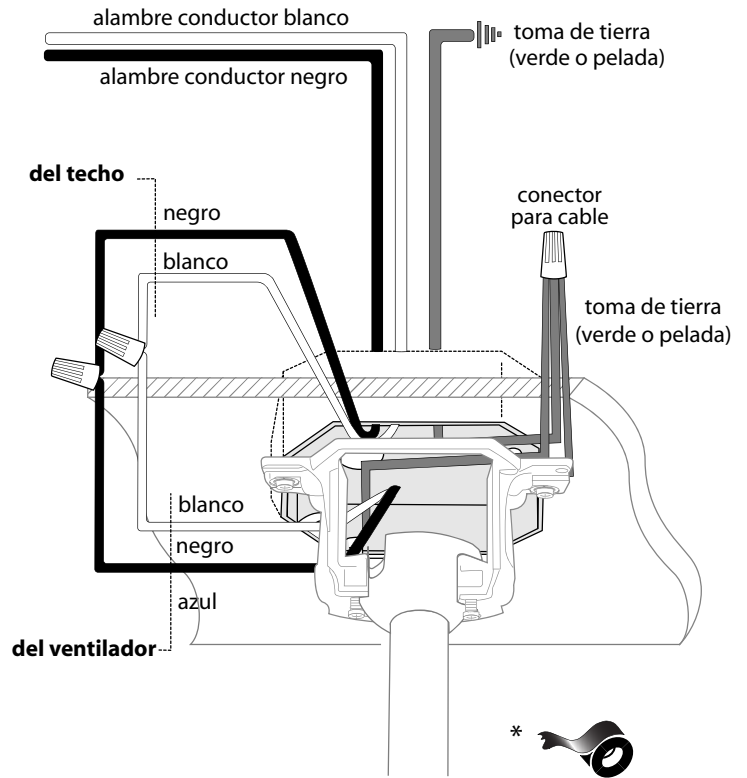
\* Como una medida de seguridad adicional, envolver cada conector para cable con cinta aisladora. Delicadamente meter los cables y los conectores para cable que tienen cinta dentro de la caja de salida.

Instalar 1 batería de 12 voltios (incluida) en el control de pared.

**IMPORTANTE:** el control de pared no funcionará a menos que se instale la batería.

Ya que este ventilador viene con un juego de luz LED, el interruptor del reductor de luz (etiquetado **ON** y **D**) está programado de antemano en posición "ENCENDIDO" (**ON**). Si no desea tener la capacidad de regular la luz, favor de mover el interruptor a la posición "APAGADO" (**D**).

Sujetar el control de pared a la caja de salida y asegurarlo con los tornillos del interruptor de pared original. Sujetar la placa (incluida) al control de pared usando los 2 tornillos provistos con el control de pared.

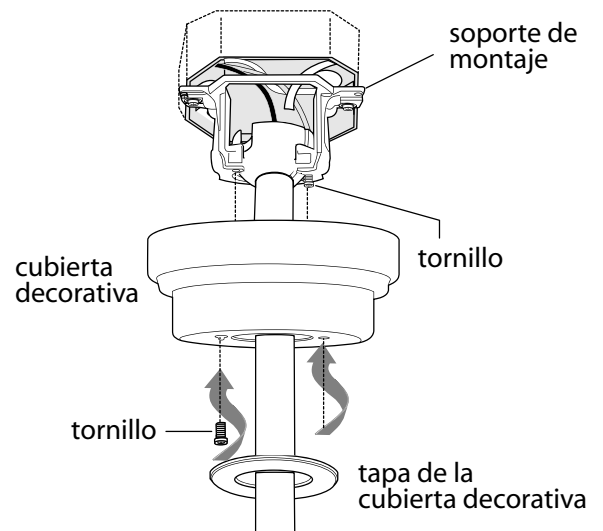


**ADVERTENCIA:** peligro de asfixia - Piezas pequeñas. Mantenga las baterías fuera del alcance de los niños.

## 7. Colocación de la cubierta decorativa.

Localizar los 2 tornillos en la parte inferior del soporte de montaje y quitar el tornillo que está localizado más cerca del extremo abierto del soporte de montaje. Aflojar parcialmente el otro tornillo. Elevar la cubierta decorativa hasta el soporte de montaje. Poner la parte redondeada del agujero con ranura en la cubierta decorativa encima del tornillo aflojado en el soporte de montaje y empujar hacia arriba. Girar la cubierta decorativa para cerrarla. Volver a introducir el tornillo que se quitó y luego apretar bien ambos tornillos.

Subir la tapa de la cubierta decorativa hasta la cubierta decorativa, alineando la parte redondeada de los agujeros con ranura en la tapa de la cubierta decorativa con las cabezas de tornillo en el fondo de la cubierta decorativa. Girar la tapa de la cubierta decorativa a la derecha (en el sentido de las agujas del reloj) hasta que ya no gire.



## 8. Colocación de las aspas.

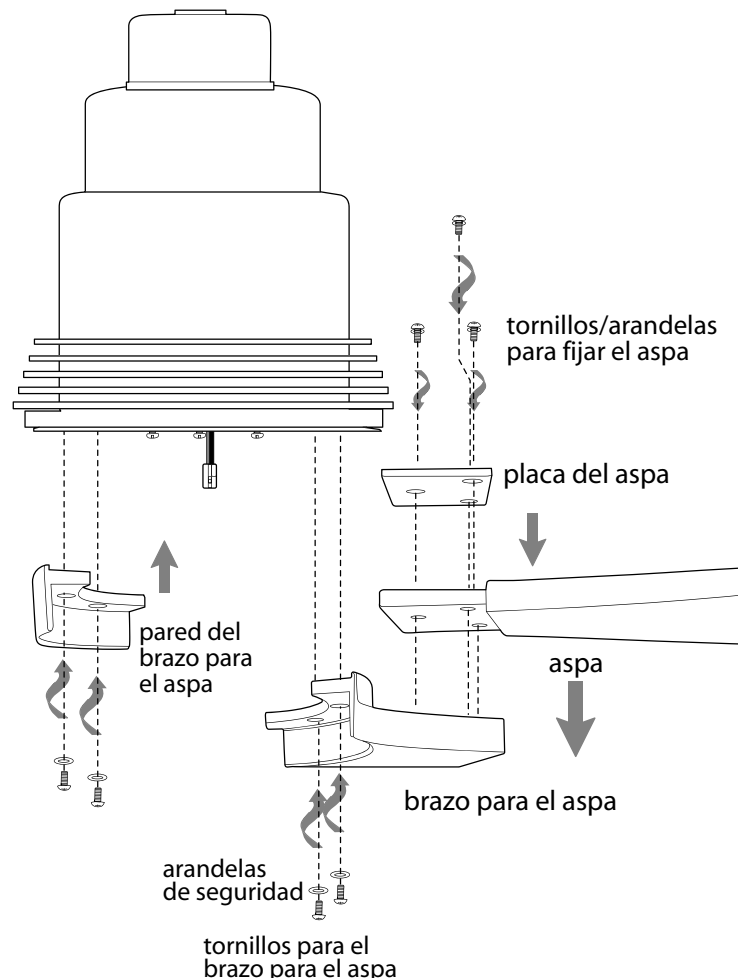
**OPCIONES DE ASPAS:** Se puede usar este ventilador con DOS o CUATRO aspas. **Si escoge la opción de DOS aspas**, instalar las paredes del brazo para el aspa en lados opuestos, utilizando los tornillos para los brazos para el aspa y las arandelas mencionados en el tercer párrafo más abajo.

**ADVERTENCIA:** para reducir el riesgo de lesiones corporales graves, NO utilice herramientas eléctricas para ensamblar las aspas. Si aprieta demasiado las aspas, estas podrían agrietarse y quebrarse.

Localizar los tornillos/arandelas para fijar las aspas en uno de los paquetes de artículos de ferretería. Agarrar uno de los brazos para las aspas y juntarlo con una de las aspas y alinear los agujeros. Colocar la placa del aspa sobre el aspa, alineando los postes en la placa para el aspa con los agujeros en el aspa, como se muestra e introducir tres tornillos/arandelas para fijar las aspas, con los dedos primero y luego apretarlos bien con un destornillador de estrella Phillips. Repetir el procedimiento con las demás aspas.

Sacar los tornillos para los brazos para el aspa y las arandelas de seguridad del lado inferior del motor. Alinear los agujeros de uno de los brazos para las aspas con los agujeros para los tornillos en el motor y fijar el brazo para el aspa con arandelas de seguridad y tornillos para el brazo para el aspa. Antes de apretar los tornillos bien, repetir el mismo procedimiento con los demás brazos para las aspas. Apretar bien todos los tornillos.

**Nota:** apretar los tornillos para los brazos para las aspas dos veces al año.



## 9. Instalación del juego de luz (opcional).

Quitar 1 tornillo de la placa del motor en el lado inferior del motor y parcialmente aflojar los otros 2 tornillos. Alinear los agujeros con ranura en la placa de conexión con los tornillos aflojados en la placa del motor, dejando que el enchufe hembra del bastidor del motor pase por el agujero de en medio de la placa de conexión. Girar la placa de conexión para cerrarla. Volver a introducir el tornillo que se quitó anteriormente y apretar bien los 3 tornillos con un destornillador de estrella Phillips. [Referirse al **diagrama 1**].

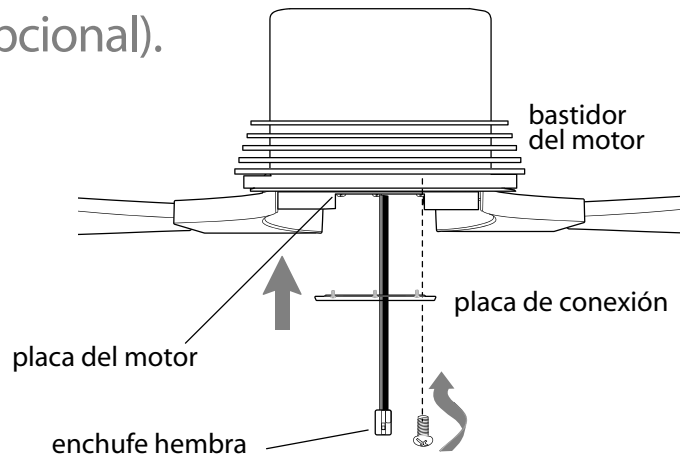
**Si desea UTILIZAR el juego de luz**, quitar 1 tornillo del poste localizado en la parte inferior de la placa de conexión y parcialmente aflojar los otros 2 tornillos.

Conectar el enchufe hembra del bastidor del motor al enchufe macho del juego de luz LED, haciendo combinar los colores del enchufe macho con los del enchufe hembra para un ajuste correcto. Asegurarse de que se conecten bien los enchufes. [NOTA: si no va a utilizar el juego de luz, NO conectar los enchufes]. Cuidadosamente arregle los cables dentro del juego de luz LED. Alinear los agujeros con ranura en el conector para el juego de luz con los tornillos aflojados en la placa de conexión. Girar el conector para el juego de luz para cerrarlo. Volver a introducir el tornillo que se quitó anteriormente y apretar bien los 3 tornillos. [Referirse al **diagrama 2**].

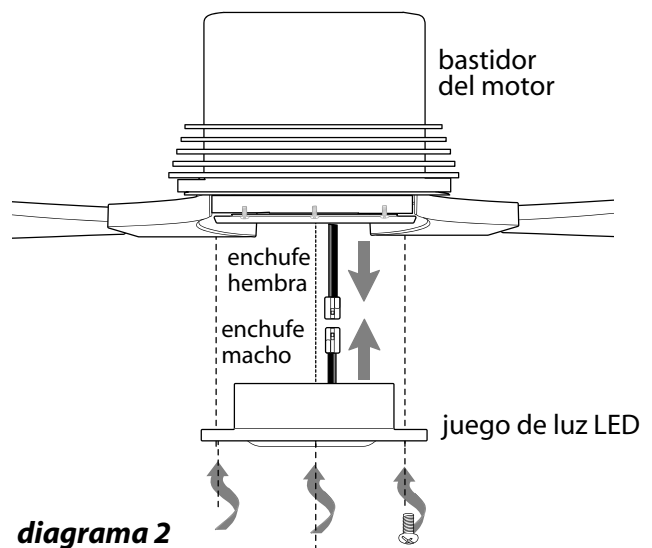
Localizar las ranuras en la pantalla de vidrio y alinear con los nódulos dentro del juego de luz LED. Empujar la pantalla de vidrio suavemente hacia arriba y girar la pantalla de vidrio hacia la DERECHA (en sentido de las agujas del reloj) hasta que se quede encajada. [Referirse al **diagrama 3**].

**Si NO desea utilizar el juego de luz**, localizar las ranuras en la cubierta de metal y alinear con los nódulos dentro del juego de luz LED. Empujar la cubierta de metal suavemente hacia arriba y girarla hacia la DERECHA (en sentido de las agujas del reloj) hasta que se quede encajada. [Referirse al **diagrama 4**].

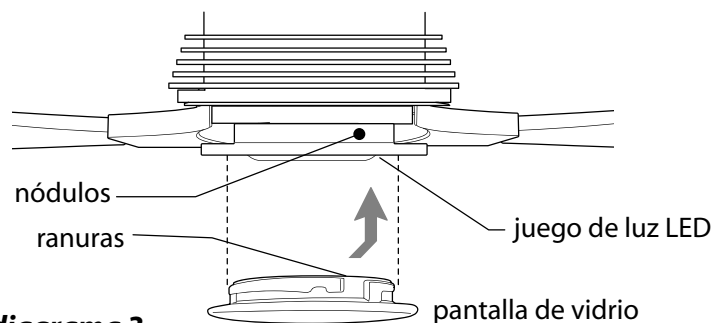
**PRECAUCIÓN:** no conectar el juego de luz LED si NO desea usar la luz.



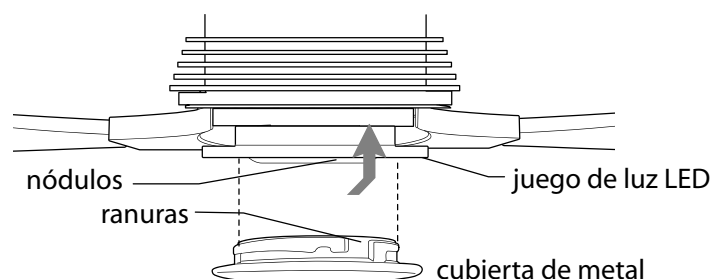
**diagrama 1**



**diagrama 2**



**diagrama 3**



**diagrama 4**

## 10. Ensamblaje del control remoto de mano.

PARA PODER UTILIZAR EL CONTROL REMOTO DE MANO, FAVOR DE SEGUIR CON LA SECCION 10 para armar el control remoto. Si ya se instaló el control de pared pero **no** desea utilizar el control remoto de mano, favor de pasar a la sección 11.

Con cuidado separar la cubierta del control remoto, despegando la parte superior de la inferior. [Referirse al **diagrama 1**.]

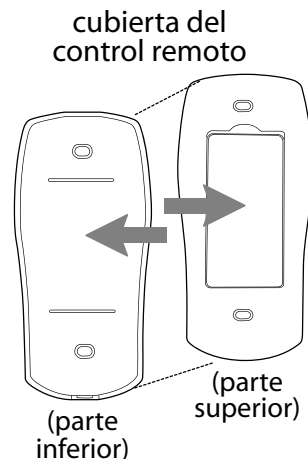
Para utilizar el control de pared como control remoto de mano, cortar cada cable en el control de pared (que no se usó anteriormente) -- usar cortaalambres para cortar cada cable y que quede tan corto como sea posible. [Referirse al **diagrama 2**.]

Instalar 1 batería de 12 voltios (incluida) en el control de pared. [Referirse al **diagrama 2**.]

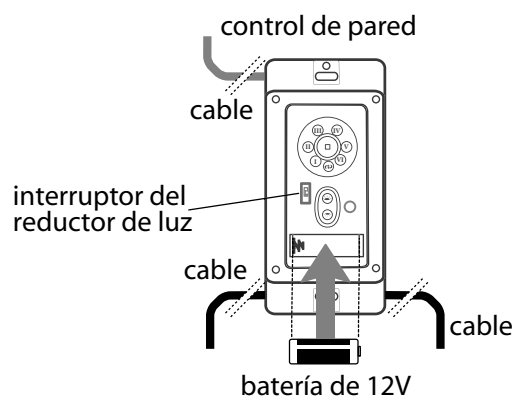
El interruptor del reductor de luz (etiquetado **ON** y **D**) está programado de antemano en posición "ENCENDIDO" (**ON**). Si no desea tener la capacidad de bajar la luz, favor de mover el interruptor a la posición "APAGADO" (**D**).

Alinear los agujeros en el control de pared con los postes que se encuentran *adentro de* la parte SUPERIOR de la cubierta del control remoto y apretar fijamente. Colocar el control de pared dentro de la parte INFERIOR de la cubierta del control remoto, alineando los postes en la parte superior de la cubierta del control remoto con los agujeros para los postes en la parte inferior. [Referirse al **diagrama 3**.] (**NOTA:** Asegurarse de alinear los extremos más angostos de la cubierta del control remoto antes de cerrarla.) Apretar la parte superior e inferior de la cubierta del control remoto hasta que se oiga un "clic" en cada extremo, lo cual indicará que se ha cerrado completamente la cubierta del control remoto.

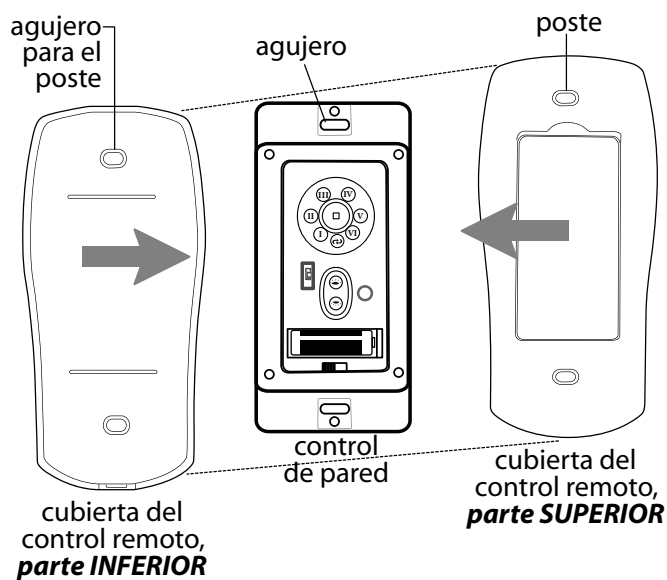
**IMPORTANTE:** Guardar el control remoto de mano lejos del calor excesivo o la humedad. Para prevenir daño al control remoto de mano, sacar la batería si no se va a utilizar el control remoto por un tiempo extendido.



**diagrama 1**



**diagrama 2**



**diagrama 3**

# 11. Proceso de aprendizaje automático./Activar el código.

**PRECAUCIÓN:** Se puede programar el control de pared/ control remoto de mano para usar con varios receptores o ventiladores. Si no desea hacer esto, apagar el interruptor de cualquier otro receptor o ventilador programable.

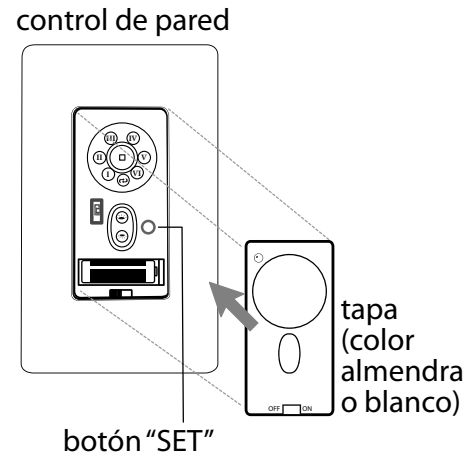
Conectar la electricidad y luego, si se instaló el control de pared, poner el interruptor corredero en el control de pared en posición ON (encendido). Dentro de 60 segundos de haber prendido el control de pared, oprimir el botón **SET** en el control de pared por 5 segundos o hasta que la luz parpadee dos veces.

**Cortar la corriente de nuevo por 5 segundos como mínimo** y luego volver a conectar la electricidad. Dentro de 60 segundos de haber conectado la electricidad, oprimir el botón **SET** en el control remoto de mano por 5 segundos o hasta que la luz parpadee dos veces.

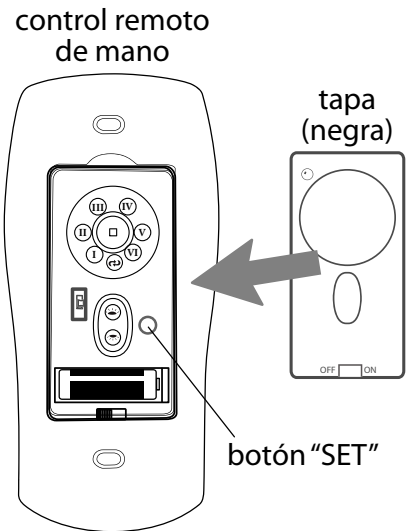
Poner a prueba las funciones de luz y ventilador para confirmar que se ha terminado el proceso de aprendizaje--ver la sección 13 en la página siguiente.

Escoger una tapa (**color almendra o blanco**) y apretarla firmemente en la parte delantera del control de pared que se instaló anteriormente en la caja de salida de la pared. [Referirse al **diagrama 1**.]

Fijar la **tapa negra** a la parte delantera del control remoto de mano; apretar la tapa firmemente. [Referirse al **diagrama 2**].



**diagrama 1**

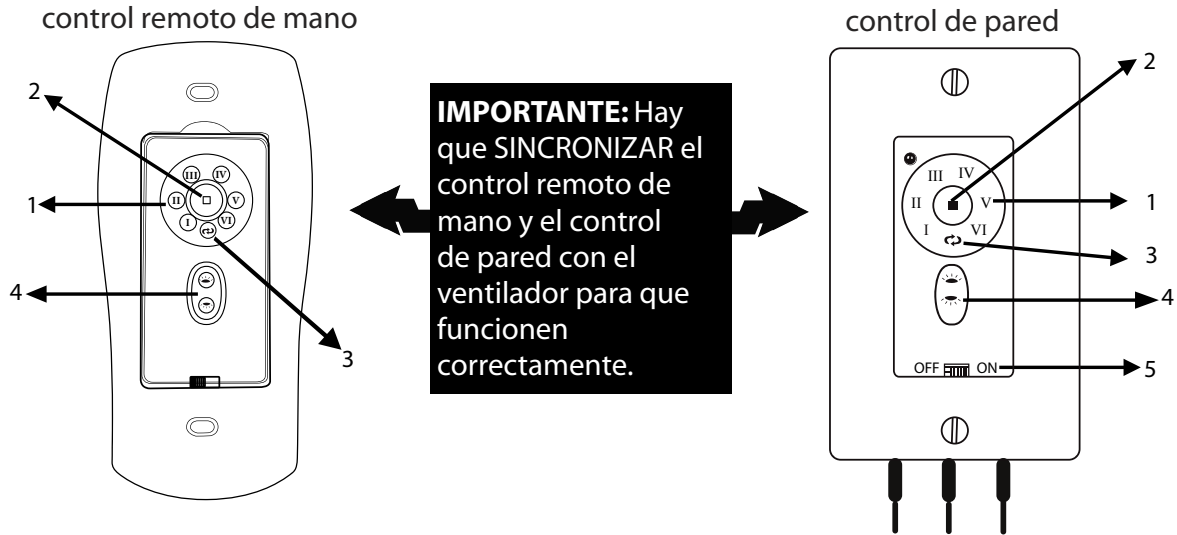


**diagrama 2**

**PRECAUCIÓN:** "NO ARROJE LAS BATERÍAS AL FUEGO, PUEDEN EXPLOTAR O CHORREAR" - Antes de desechar baterías alcalinas domésticas, se recomienda consultar a los coordinadores de residuos domésticos peligrosos o de reciclaje locales y estatales para solicitarles información específica sobre el programa vigente en su zona. A su vez, puede localizar un centro de reciclaje llamando al 1-800-8-BATTERY o 1-877-2-RECYCLE, o visitando [www.epa.gov/epawaste/index.htm](http://www.epa.gov/epawaste/index.htm) o [www.earth911.org](http://www.earth911.org) para obtener más información.



## 12. Funcionamiento del control remoto/de pared.



Botones de **VELOCIDAD** del ventilador--1:  
 Botón de **APAGADO**--2:  
 Botón de **REVERSA**--3:  
 Botón de **ILUMINACION**--4:  
 Interruptor corredero **ON/OFF**--5:

usar para controlar la velocidad del ventilador de 1- 6  
 usar para apagar el ventilador  
 usar para controlar la dirección del ventilador  
 usar para controlar la luz superior o la luz inferior (si se aplica)  
 [control de pared solamente] Usar para PRENDER o APAGAR el control de pared

**IMPORTANTE:** *El Proceso de aprendizaje automático tardará 5 minutos en completarse.* Por favor **dejar el ventilador "ENCENDIDO"** durante estos 5 minutos que demora la programación y **NO proceder a usar el control remoto ni a cortar el suministro de fuerza eléctrica** durante este tiempo. El ventilador **entrará en un ciclo de marcha de avance y marcha atrás, pasando por LAS SEIS (6) velocidades, y luego se detendrá automáticamente** después de haberse terminado el proceso de aprendizaje.

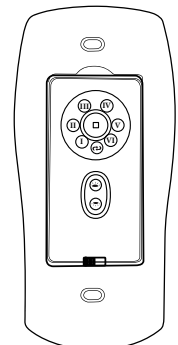
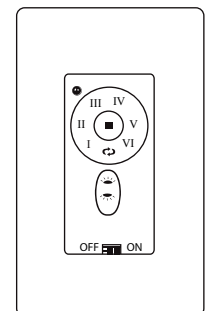
## 13. Verificación del funcionamiento del ventilador.

Se le recomienda poner el ventilador a prueba antes de terminar la instalación. Regresar la corriente de electricidad en el cortacircuitos y el interruptor de la luz (si se aplica). Poner a prueba el control de pared (instalación opcional) localizando el interruptor corredero de APAGADO y ENCENDIDO en el control de pared, luego ponerlo en posición de ENCENDIDO (ON). Poner a prueba la luz y la función del reductor de luz y después las velocidades del ventilador. Luego, localizar el control remoto de mano. Verificar las velocidades del ventilador con los diferentes botones de velocidad (I - VI) en el control remoto de mano. Poner a prueba la función de luz de APAGADO y ENCENDIDO con el botón ; poner a prueba el funcionamiento del reductor de luz oprimiendo el botón por más de 1 segundo. Si el control de pared/control remoto de mano maneja todas las funciones de ventilador y luz, se ha instalado bien la batería. Si el control de pared y/o el control remoto de mano no controla(n) todas las funciones del ventilador/la luz, favor de referirse a la sección "Localización de fallas" para resolver cualquier asunto antes de comunicarse con el Servicio al cliente.

Hay que poner el ventilador en posición BAJA *antes* de poner el ventilador en reversa. Usar el botón para que circule bien el aire dependiendo de las estaciones del año. Un ventilador de techo le permitirá subir el termostato en verano y bajarlo en invierno sin notar una diferencia en su comodidad.

**NOTA:** si el control de pared/control remoto de mano interfiere con otros aparatos, activar un código nuevo en el control de pared/control remoto de mano **cortando la corriente primero**. Repetir las instrucciones que se refieren al botón "SET" de la sección 11 (página 10).

**IMPORTANTE:** hay que sincronizar el control remoto de mano y el control de pared con el ventilador para que funcionen correctamente.



## Localización de fallas.

**ADVERTENCIA:** *el no desconectar el suministro de fuerza eléctrica antes de hacer localización de fallas para cualquier problema de instalación eléctrica puede causar lesiones graves.*

**Problema:** el ventilador no funciona.

**Soluciones:**

1. Inspeccionar el interruptor de pared del ventilador/control de pared.
2. Verificar la instalación eléctrica del control de pared (uso opcional).
3. Verificar la instalación eléctrica del ventilador.
4. Es posible que no tuvo éxito el proceso de aprendizaje entre el ventilador, el control remoto de mano y, si se aplica, el control de pared y que no se activó el código. Apagar la corriente y repetir las instrucciones de la sección 11 (página 10) que tienen que ver con el botón SET.
5. Averiguar que la luz roja se prende en el control remoto de mano cuando se oprima un botón, lo cual significa que sirve la batería.

**Problema:** el juego de luz (opcional) no se ilumina.

**Soluciones:**

1. Inspeccionar el interruptor de pared del ventilador/control de pared.
2. Verificar que se hizo correctamente la conexión de cables en la cubierta decorativa.
3. Verificar que se conectaron bien los enchufes macho y hembra en el juego de luz LED.
4. Es posible que no tuvo éxito el proceso de aprendizaje entre el ventilador, el control remoto de mano y, si se aplica, el control de pared y que no se activó el código. Apagar la corriente y repetir las instrucciones de la sección 11 (página 10) que tienen que ver con el botón SET.

**Problema:** el ventilador funciona pero la luz no (si es aplicable).

**Soluciones:**

1. Verificar que se hizo correctamente la conexión de cables en la cubierta decorativa.
2. Verificar que se conectaron bien los enchufes macho y hembra en el juego de luz LED.

**Problema:** no funcionan el ventilador ni la luz con el control remoto de mano y/o el control de pared.

**Soluciones:**

1. Averiguar la carga de la batería en el control remoto de mano y/o el control de pared.
2. Es posible que no tuvo éxito el proceso de aprendizaje entre el ventilador, el control remoto de mano y, si se aplica, el control de pared y que no se activó el código. Apagar la corriente y repetir las instrucciones de la sección 11 (página 10) que tienen que ver con el botón SET.
3. Si está usando el control de pared opcional, verificar si aún sirve la batería en el control de pared.

**Problema:** el ventilador se tambalea.

**Soluciones:**

1. Averiguar que se apretó (apretaron) bien el (los) tornillo(s) de fijación en el cuello del bastidor del motor.
2. Averiguar que se apretó bien el tornillo de fijación en la bola que sirve para colgar.

## Garantía.

GARANTIA LIMITADA DE POR VIDA DE CRAFTMADE™: CRAFTMADE garantiza este ventilador al comprador original de grupo familiar para uso interior con las siguientes condiciones:

GARANTIA DE 1 AÑO: CRAFTMADE reemplazará o reparará cualquier ventilador que tenga funcionamiento deficiente debido a defectos en los materiales o trabajo manual. Comunicarse con el Servicio al cliente de CRAFTMADE al **1-800-486-4892** para acordar el reenvío del ventilador. Devolver el ventilador, con los gastos de envío prepagados, a Craftmade. Nosotros repararemos o reemplazaremos el ventilador y pagaremos los gastos de envío de regreso.

GARANTIA DE 5 AÑOS: CRAFTMADE reemplazará o reparará sin costo al comprador original, cualquier motor de ventilador que no funcione de manera satisfactoria a causa de uso normal.

DEVOLVER EL MOTOR SOLAMENTE, los gastos de envío prepagados, a Craftmade. Nosotros repararemos el motor al comprador o le enviaremos uno de reemplazo y Craftmade pagará los gastos de envío de regreso.

GARANTIA LIMITADA DE 6 AÑOS hasta DE POR VIDA: CRAFTMADE reparará el ventilador, sin costo al comprador original por el coste laboral, si el motor del ventilador no funciona satisfactoriamente a causa del uso normal. Las piezas que se utilizan en hacer la reparación serán facturadas al comprador a los precios prevalentes en el momento de la reparación.

El comprador original será responsable de todos los gastos incurridos en sacar, reinstalar y enviar el producto para reparación.

Esta garantía no se aplica cuando el ventilador tenga daños por abuso mecánico, físico, eléctrico o por agua resultando en su mal funcionamiento. Se exenta específicamente el deterioro en el acabado u otras partes debido al tiempo o exposición al aire marino bajo esta garantía.

Ni Craftmade ni el fabricante se harán responsables por lo que pasa por una instalación inadecuada o el uso impropio de este producto. La compañía no se hará responsable en ningún caso de ningún daño emergente por incumplimiento de esta o cualquier otra garantía expresada o implicada en absoluto. Esta limitación de daños emergentes no se aplicará en estados donde es prohibido.

## Piezas de repuesto.

Para piezas o información, referirse al "Inventario de piezas" en la página 2. Servicio al cliente de Craftmade: **1-800-486-4892**  
[www.craftmade.com](http://www.craftmade.com)

# CRAFTMADE™