

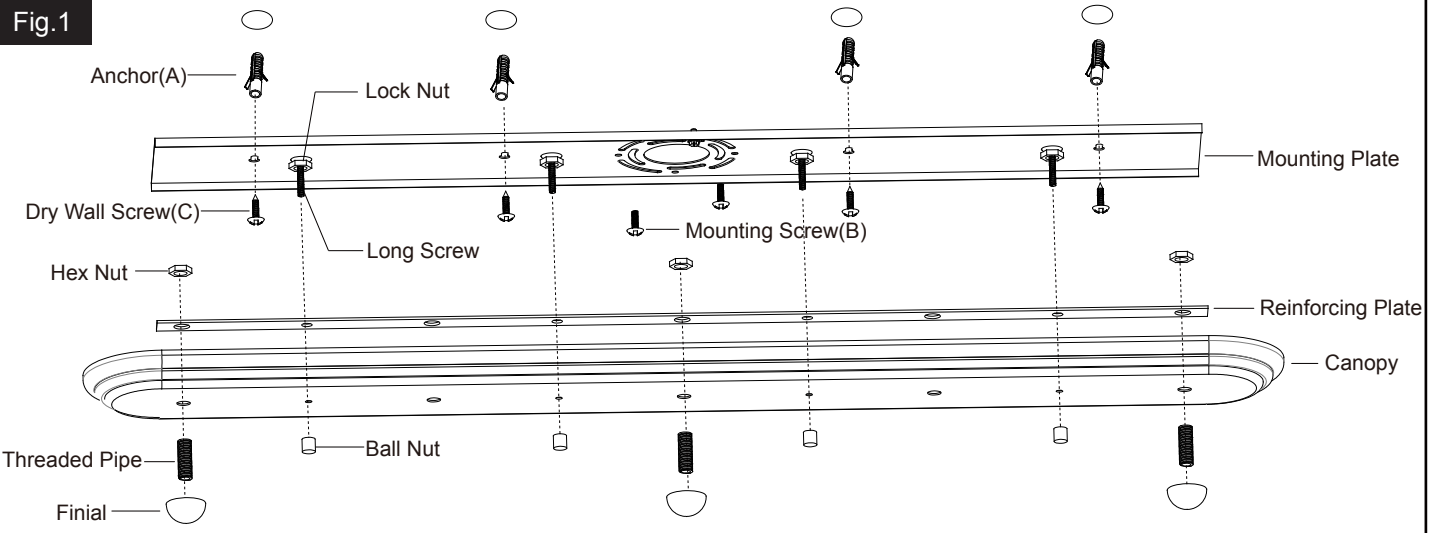
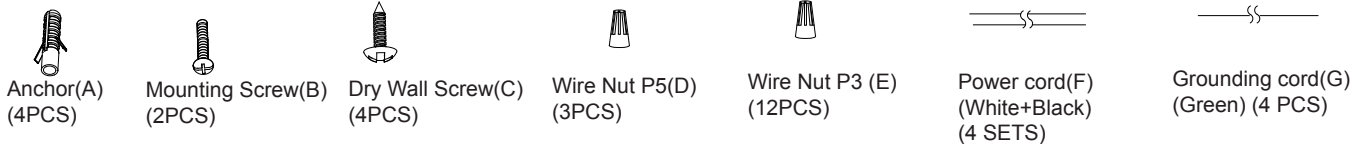
ASSEMBLY AND INSTALLATION INSTRUCTIONS

P0155 / P0156

WARNING: TO AVOID RISK OF ELECTRICAL SHOCK, BE SURE TO SHUT OFF POWER WHILE INSTALLING OR SERVICING THIS FIXTURE.

NOTES: 1. Before installing, consult local electrical codes for wiring and grounding requirements.
2. READ AND SAVE THESE INSTRUCTIONS.

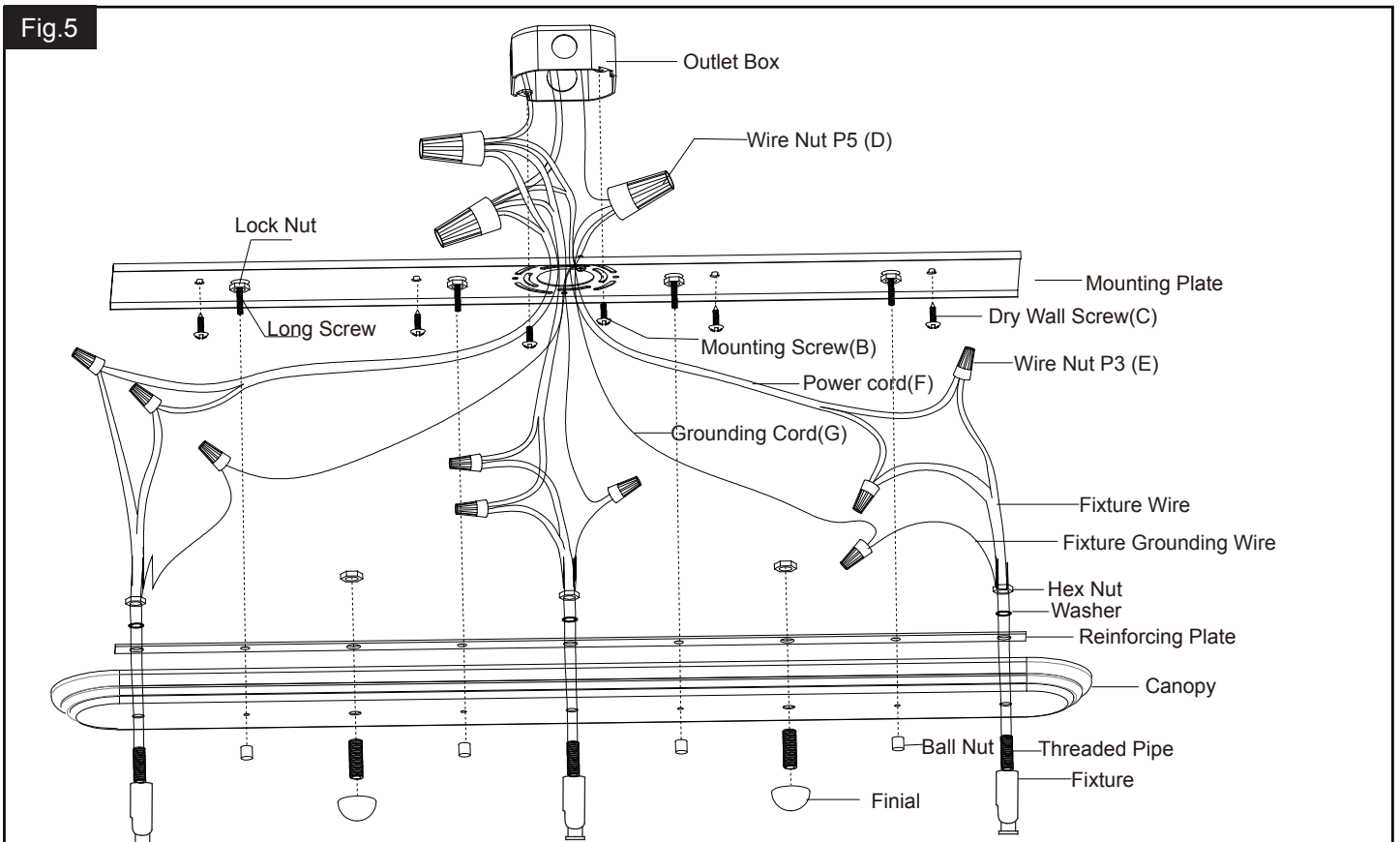
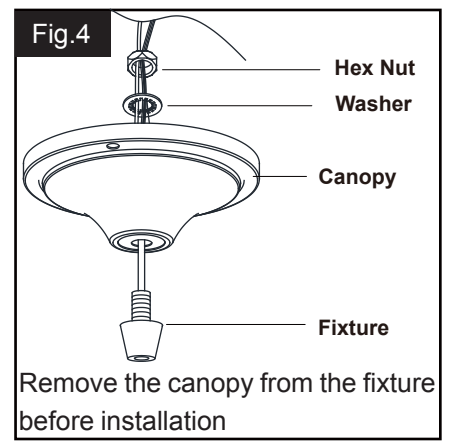
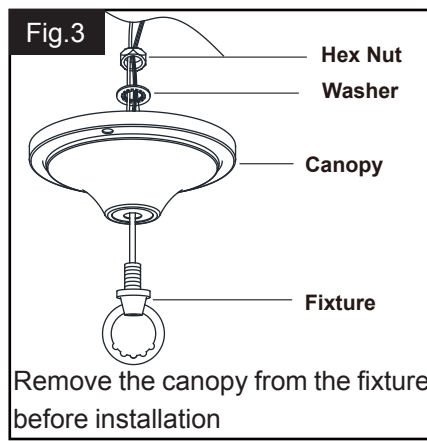
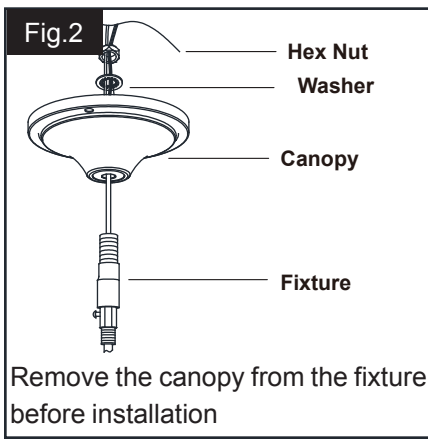
Hardware Package (included):



Installation Steps

Turn off the power at fuse or circuit box.

1. Carefully unpack the fixture, lay out the fixture on a clean surface.
2. Remove the mounting plate from canopy by unscrewing four ball nuts.
3. Use suitable tools to unscrew the hex nuts from the canopy, remove the threaded pipe and finial from the canopy. Save the finial for later. (See Fig.1)
4. Fix the mounting plate to the ceiling.
 - a) For wooden material:
Attach the mounting plate to the outlet box by using two mounting screws, and then secure the dry wall screws through the set holes to the ceiling.
 - b) For cement material:
Place the mounting plate to the outlet box and mark the target on the ceiling from the set hole for drilling two holes. Remove the mounting plate from the outlet box. Thread the anchors into the holes, then attach the mounting plate to the outlet box by using two mounting screws. Secure the dry wall screws through the set holes into the anchors.



5. Install the Fixture. (the Fixture is sold separately)

- a. Remove the canopy from the fixture before installation (See Fig.2 ~ 4) (For reference only)
- b. Thread the fixture wire through the canopy, reinforcing plate, washer and hex nut as showed, and then secure the fixture to the canopy with washer and hex nut. (Choose desired holes to install fixtures)

6. Cover the rest holes in canopy with remain hex nuts, threaded pipes and finials.

7. Add extension cord if necessary, make wire connections using wire nuts as follows:

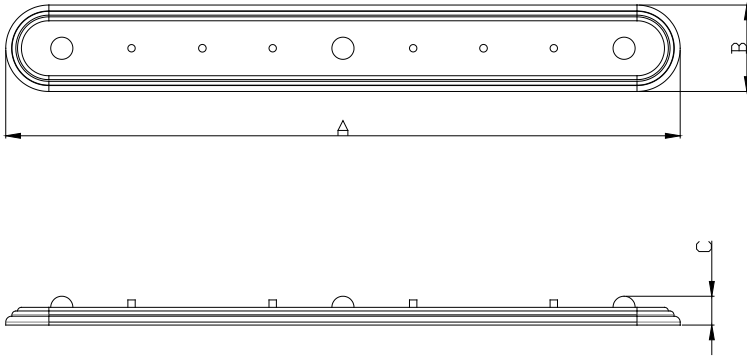
- Connect the hot wire (usually black insulation) from the power cord to the black wire from the fixture wire.
- Connect the neutral wire (usually white insulation) from the power cord to the white wire from the fixture wire.
- Connect the grounding cord (usually bare wire) to the fixture grounding wire.

8. Pull out the source wires from the outlet box. Make wire connections using wire nuts as follows:

- Connect the hot wire (usually black insulation) from the power cord to the black wire from the power source.
 - Connect the neutral wire (usually white insulation) from power cord to the white wire from the power source.
 - Attach the grounding cord (usually bare wire) to the mounting plate with the green grounding screw. Then connect it to the house grounding wire with a wire nut. If your outlet box does not have a house grounding wire, then wrap the fixture grounding wire around the green grounding screw.
- Carefully tuck the wires back into the outlet box.

9. Attach the canopy to the mounting plate by inserting the long screws, then secure it with the ball nuts.

Turn on the power at fuse or circuit box.



A: 36"

B: 4-5/8"

C: 1-3/8"