

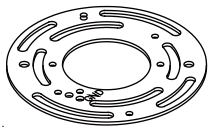
ASSEMBLY AND INSTALLATION INSTRUCTIONS

T0472

WARNING: TO AVOID RISK OF ELECTRICAL SHOCK, BE SURE TO SHUT OFF POWER WHILE INSTALLING OR SERVICING THIS FIXTURE.

NOTE: 1. Before installing, consult local electrical codes for wiring and grounding requirements.
2. READ AND SAVE THESE INSTRUCTIONS.

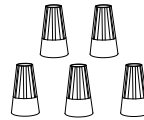
Hardware Package (included):



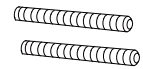
Mounting plate (A)



Mounting Screw (B)



Wire Connector (C)



Headless screw (D)



Green Grounding Screw (E)



Lock Nut (F)



Ball Nut (G)

Installation Steps

Turn off the power at fuse or circuit box

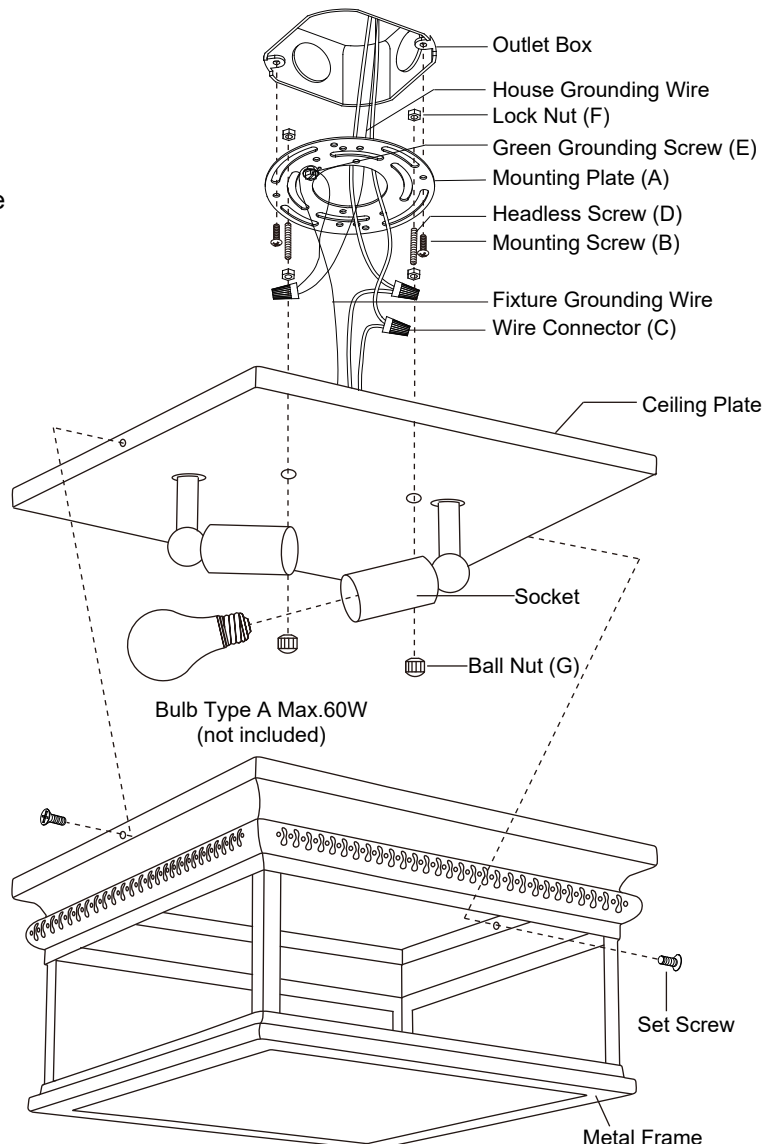
1. Thread two headless screws (D) through the mounting plate (A), and then secure them with four lock nuts (F) (two on each side of the mounting plate (A).) Adjust the length of the headless screws (D) if necessary.
Note: Make sure the headless screws are lined up horizontally to make the fixture level.

2. Attach the mounting plate (A) to the outlet box by using two mounting screws (B).

3. Pull out the source wires from the outlet box. Make wire connections using wire connectors (C) as follows:
 - Connect the hot wire (usually black insulation) from the fixture to the black wire from the power source.
 - Connect the neutral wire (usually white insulation) from the fixture to the white wire from the power source.
 - Attach the fixture grounding wire (usually green insulation or bare wire) to the mounting plate (A) with the green grounding screw (E), and then connect it to the house grounding wire with the wire connector (C).

Carefully put the wires back into the outlet box.

4. Attach the ceiling plate to the mounting plate (A) by inserting headless screws (D) into the center holes of the ceiling plate and screw two ball nuts (G) to secure the ceiling plate.

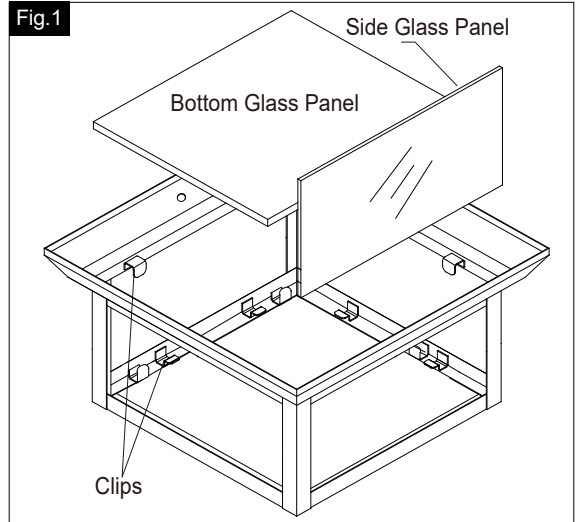


5. Install two bulbs (not included). See relamping label at socket area or packaging for maximum allowed wattage.

6. Place the bottom glass into the metal frame, then secure it with eight clips which on the bottom of the metal frame. Place the side glass panels into the metal frame, then press the clips which on the top and bottom of the metal frame to secure the side glass panels. (See Fig. 1)

Note: The patterned side of glass faces out .

7. Attach the metal frame to the ceiling plate, then secure it with two set screws.

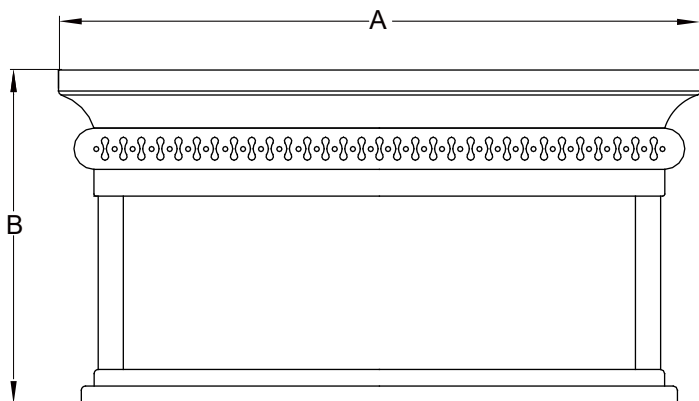


Turn on the power at fuse or circuit box

The following parts are available for re-order if damaged or missing.

Spare Parts List:

The Spare Parts List diagram shows various components arranged in two rows. The first row includes: Mounting plate (A) - a circular plate with a central hole and mounting points; Mounting Screw (B) - a standard screw; Wire Connector (C) - four cone-shaped connectors; Headless screw (D) - two long screws without heads. The second row includes: Green Grounding Screw (E) - a screw with a green coating; Lock Nut (F) - two hexagonal nuts; Ball Nut (G) - two cylindrical nuts with a ball in the center. To the right of these parts is an arrow pointing to 'Mounting Hardware 6060MM (1SET)'. Below that are two rectangular panels: 'Side Glass Panel 10078W' and 'Bottom Glass Panel 10077W'.



A: 12"

B: 6-1/2"